



## **SanDisk miniSD Card**

---

### **Product Manual**

Version 1.1

Document No. 80-36-00235

November 2003

### **SanDisk Corporation**

Corporate Headquarters • 140 Caspian Court • Sunnyvale, CA 94089

Phone (408) 542-0500 • Fax (408) 542-0503

[www.sandisk.com](http://www.sandisk.com)

SanDisk® Corporation general policy does not recommend the use of its products in life support applications where in a failure or malfunction of the product may directly threaten life or injury. Per SanDisk Terms and Conditions of Sale, the user of SanDisk products in life support applications assumes all risk of such use and indemnifies SanDisk against all damages. See “Limited Warranty” and “Disclaimer of Liability.”

This document is for information use only and is **subject to change without prior notice**. SanDisk Corporation assumes no responsibility for any errors that may appear in this document, nor for incidental or consequential damages resulting from the furnishing, performance or use of this material. No part of this document may be reproduced, transmitted, transcribed, stored in a retrievable manner or translated into any language or computer language, in any form or by any means, electronic, mechanical, magnetic, optical, chemical, manual or otherwise, without the prior written consent of an officer of SanDisk Corporation.

SanDisk and the SanDisk logo are registered trademarks of SanDisk Corporation.

Product names mentioned herein are for identification purposes only and may be trademarks and/or registered trademarks of their respective companies.

© 2003 SanDisk Corporation. All rights reserved.

SanDisk products are covered or licensed under one or more of the following U.S. Patent Nos. 5,070,032; 5,095,344; 5,168,465; 5,172,338; 5,198,380; 5,200,959; 5,268,318; 5,268,870; 5,272,669; 5,418,752; 5,602,987. Other U.S. and foreign patents awarded and pending.

Lit. No. 80-36-00235 Rev. 1.1 11/2003

Printed in U.S.A.

### **Revision History**

- Revision 0.9 dated 2/2003—initial release
- Revision 0.91 dated 3/2003—minor edits to text and section numbering; changed 10MB/sec in section 1.3 to 12.5MB/sec; changed 12MB/sec to 12.5MB/sec in section 1.5.9.7; changed 25 Kbits/sec to 25 Mb/sec in section 1.5.10.6; added MLC values to tables 2-4 and 3-9; revised footnote to table 5-5; updated sales office info.
- Revision 0.92 dated 4/2003—revised Table 3-9 max read current and max write current values; revised Appendix A from Secure Digital Card order info to miniSD Card order info.
- Revision 1.0 dated 4/2003—Inserted values for sleep current in Table 2-3; corrected values for min and max VDD current in Table 2-3; changed value of TRAN\_SPEED from 25MHz to 25 Mb/sec; changed PRV value of 30 to 31 in Table 3-8
- Revision 1.1—Modified part numbers; minor edits to text; adjusted values for Hermon; adjusted values in Tables 2-5 & 3-9

# Table of Contents

1. Introduction to the SanDisk miniSD Card.....	1-1
1.1. Scope.....	1-2
1.2. Product Models.....	1-2
1.3. System Features.....	1-2
1.4. miniSD Card Standards.....	1-3
1.5. Functional Description.....	1-3
1.5.1. Flash Technology Independence.....	1-3
1.5.2. Defect and Error Management.....	1-4
1.5.3. Copyright Protection.....	1-4
1.5.4. Endurance.....	1-4
1.5.5. Wear Leveling.....	1-4
1.5.6. Using the Erase Command.....	1-5
1.5.7. Automatic Sleep Mode.....	1-5
1.5.8. Hot Insertion.....	1-5
1.5.9. miniSD—SD Bus Mode.....	1-5
1.5.10. miniSD Card—SPI Mode.....	1-9
2. Product Specifications.....	2-1
2.1. System Environmental Specifications.....	2-1
2.2. Reliability and Durability.....	2-1
2.3. Typical Card Power Requirements.....	2-2
2.4. System Performance.....	2-2
2.5. System Reliability and Maintenance.....	2-2
2.6. Physical Specifications.....	2-3
3. miniSD Card Interface Description.....	3-1
3.1. General Description of Pins and Registers.....	3-1
3.1.1. Pin Assignments in mini SD Mode.....	3-1
3.1.2. miniSD Card Registers.....	3-2
3.2. SD Bus Topology.....	3-3
3.2.1. Power Protection.....	3-5
3.3. SPI Bus Topology.....	3-5
3.3.1. Power Protection.....	3-6
3.4. Electrical Interface.....	3-7
3.4.1. Power-up.....	3-7
3.4.2. Bus Operating Conditions.....	3-8
3.4.3. Bus Signal Line Load.....	3-8
3.4.4. Bus Signal Levels.....	3-9
3.4.5. Bus Timing.....	3-10
3.5. miniSD Card Registers.....	3-11
3.5.1. Operating Conditions Register (OCR).....	3-11
3.5.2. Card Identification (CID) Register.....	3-12
3.5.3. CSD Register.....	3-13
3.5.4. SCR Register.....	3-20
3.5.5. Status Register.....	3-22
3.5.6. SD Status.....	3-24
3.5.7. RCA Register.....	3-24
SPI Mode.....	3-1

---

3.5.8. SD Card Registers in SPI Mode.....	3-25
3.6. Data Interchange Format and Card Sizes .....	3-25
4. miniSD Card Protocol Description.....	4-1
4.1. SD Bus Protocol.....	4-1
4.2. Protocol's Functional Description.....	4-4
4.3. Card Identification Mode .....	4-5
4.3.1. Reset.....	4-6
4.3.2. Operating Voltage Range Validation .....	4-7
4.3.3. Card Identification Process .....	4-8
4.4. Data Transfer Mode .....	4-8
4.4.1. Wide Bus Selection/Deselection.....	4-10
4.4.2. Data Read Format .....	4-10
4.4.3. Data Write Format .....	4-11
4.4.4. Write Protect Management .....	4-13
4.4.5. Application Specific Commands.....	4-13
4.5. Clock Control.....	4-14
4.6. Cyclic Redundancy Codes (CRC).....	4-15
4.7. Error Conditions.....	4-17
4.7.1. CRC and Illegal Command .....	4-17
4.7.2. Read, Write and Erase Time-out Conditions .....	4-17
4.8. Commands.....	4-18
4.8.1. Command Types .....	4-18
4.8.2. Command Format.....	4-18
4.8.3. Command Classes .....	4-18
4.8.4. Detailed Command Description.....	4-20
4.9. Card State Transition Table.....	4-24
4.10. Responses.....	4-25
4.11. Timings .....	4-27
4.11.1. Command and Response .....	4-28
4.11.2. Data Read.....	4-29
4.11.3. Data Write.....	4-29
4.11.4. Timing Values.....	4-32
5. SPI Protocol Definition .....	5-1
5.1. SPI Bus Protocol .....	5-1
5.1.1. Mode Selection .....	5-1
5.1.2. Bus Transfer Protection .....	5-2
5.1.3. Data Read.....	5-2
5.1.4. Data Write.....	5-3
5.1.5. Erase and Write Protect Management.....	5-4
5.1.6. Read CID/CSD Registers.....	5-5
5.1.7. Reset Sequence .....	5-5
5.1.8. Clock Control.....	5-5
5.1.9. Error Conditions.....	5-6
5.1.10. Memory Array Partitioning.....	5-7
5.1.11. Card Lock/Unlock.....	5-7
5.1.12. Application Specific Commands.....	5-7
5.1.13. Copyright Protection Commands .....	5-7
5.2. SPI Command Set.....	5-7
5.2.1. Command Format.....	5-7
5.2.2. Command Classes .....	5-8

---

5.2.3. Responses.....	5-13
5.2.4. Data Tokens .....	5-15
5.2.5. Data Error Token .....	5-16
5.2.6. Clearing Status Bits.....	5-16
5.3. Card Registers .....	5-16
5.4. SPI Bus Timing Diagrams.....	5-16
5.4.1. Command/Response.....	5-17
5.4.2. Data Read.....	5-17
5.4.3. Data Write.....	5-18
5.4.4. Timing Values.....	5-19
5.5. SPI Electrical Interface.....	5-19
5.6. SPI Bus Operating Conditions .....	5-19
5.7. Bus Timing.....	5-19
Appendix A. Ordering Information.....	A-1
Appendix B. Technical Support Services.....	B-1
Appendix C. SanDisk Worldwide Sales Offices.....	C-1
Appendix D. Limited Warranty.....	D-1
Appendix E. Disclaimer of Liability .....	E-1

*This page intentionally left blank.*

# 1. Introduction to the SanDisk miniSD Card

The SanDisk miniSD Card is a Secure Digital (SD) card that uses flash-based memory specifically designed to meet the security, capacity, performance and environmental requirements inherent in newly emerging audio and video consumer electronic devices. The SanDisk miniSD Card includes a copyright protection mechanism that complies with the security of the SDMI standard, and is faster and capable of higher memory capacity. The miniSD card security system uses mutual authentication and a “new cipher algorithm” to protect against illegal usage of the card content. A non-secured access to the user’s own content is also available. The physical form factor: pin assignment and data transfer protocol, with some additions, are forward compatible with the SD Card.

SanDisk miniSD Card communication is based on an advanced 9-pin interface (Clock, Command, 4xData and 3xPower lines) designed to operate in a low voltage range. The communication protocol is defined as part of this specification. The miniSD Card host interface supports regular MultiMediaCard operation as well. In other words, MultiMediaCard forward compatibility was kept. The main difference between the miniSD Card and the MultiMediaCard is the initialization process. miniSD Card specifications were originally defined by MEI (Matsushita Electric Company), Toshiba Corporation and SanDisk Corporation. Currently, the Secure Digital Association (SDA) controls the specifications. The SanDisk miniSD Card was designed to be compatible with the miniSD Card Physical Specification.

The miniSD Card interface allows for easy integration into any design, regardless of microprocessor used. For compatibility with existing controllers, the SanDisk miniSD Card offers, in addition to the miniSD Card interface, an alternate communication protocol based on the SPI standard.

The miniSD Card will provide up to 256 million bytes of memory using flash memory chips, which were designed especially for use in mass storage applications. In addition to the mass storage specific flash memory chip, the miniSD Card includes an on-card intelligent controller which manages interface protocols, security algorithms for copyright protection, data storage and retrieval, as well as Error Correction Code (ECC) algorithms, defect handling and diagnostics, power management and clock control.

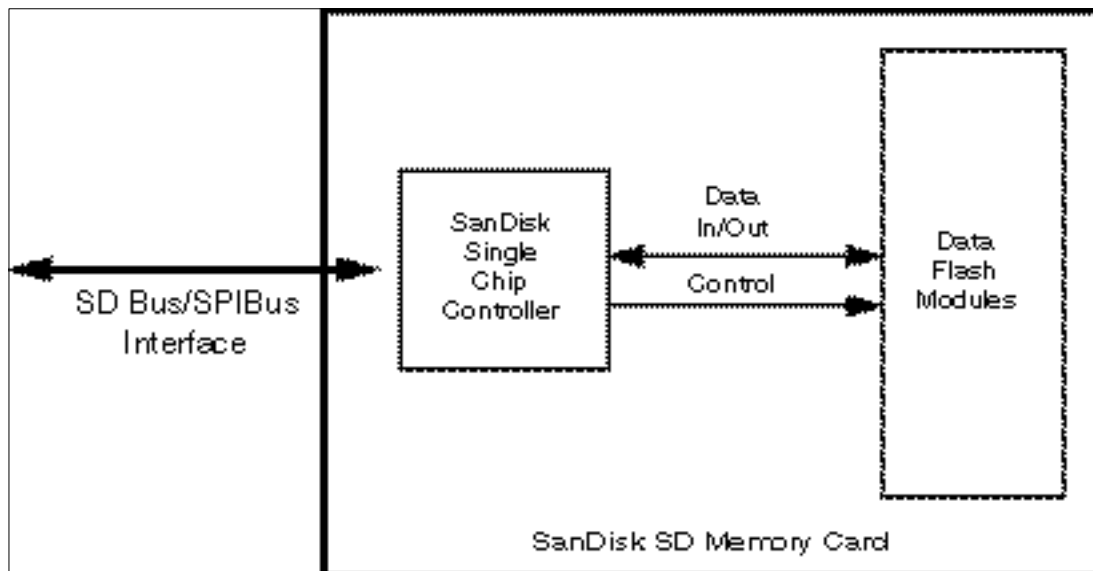


Figure 1-1. SanDisk miniSD Card Block Diagram

---

---

## 1.1. Scope

This document describes the key features and specifications of the miniSD Card, as well as the information required to interface this product to a host system.

---

## 1.2. Product Models

The SanDisk miniSD Card is available in the capacities shown in Table 1-1.

**Table 1-1. miniSD Card Capacities**

Model No.	Capacities
SDSDM-16	16 MB
SDSDM-32	32 MB
SDSDM-64	64 MB
SDSDM-128	128 MB
SDSDM-256	256 MB

---

## 1.3. System Features

The SanDisk miniSD Card provides the following features:

- miniSD protocol compatible.
- Supports SPI Mode.
- Targeted for portable and stationary applications for secured (copyrights protected) and non-secured data storage.
- Voltage range:
  - Basic communication (CMD0, CMD15, CMD55, ACMD41): 2.0—3.6V.
  - Other commands and memory access: 2.7—3.6V.
- Variable clock rate 0—25 MHz.
- Up to 12.5 MB/sec data transfer rate (using 4 parallel data lines).
- Maximum data rate with up to 10 cards.
- Correction of memory field errors.
- Copyrights Protection Mechanism—Complies with highest security of SDMI standard.
- Password Protected of Cards (not on all models).
- 
- Built-in write protection features (permanent and temporary).
- Card Detection (Insertion/Removal).
- Application specific commands.
- Comfortable erase mechanism.

---

The performance of the communication channel is described in Table 1-3.

**Table 1-3. SD Bus/SPI Bus Comparison**

miniSD Card Using SD Bus	miniSD Card Using SPI Bus
Six-wire communication channel (clock, command, 4 data lines).	Three-wire serial data bus (Clock, dataIn, dataOut) + card specific CS signal (hardwired card selection).
Error-protected data transfer.	Optional non-protected data transfer mode available.
Single or multiple block oriented data transfer.	Single or multiple block oriented data transfer.

---

## 1.4. miniSD Card Standards

SanDisk miniSD Cards are fully compatible with the *miniSD Card Physical Layer Specification* standard:

mini SD Physical Layer System Specification, Version 1.02

This specification may be obtained from:

SD Card Association  
53 Muckelemi St.  
P.O. Box 189  
San Juan Bautista, CA 95045-0189  
USA  
Phone: 831-623-2107  
Fax: 831-623-2248  
Email: [rcreech@sdcard.org](mailto:rcreech@sdcard.org)  
[www.sdcard.org](http://www.sdcard.org)

---

## 1.5. Functional Description

SanDisk miniSD Cards contain a high level, intelligent subsystem as shown in Figure 1-1. This intelligent (microprocessor) subsystem provides many capabilities not found in other types of memory cards. These capabilities include:

- Host independence from details of erasing and programming flash memory.
- Sophisticated system for managing defects (analogous to systems found in magnetic disk drives).
- Sophisticated system for error recovery including a powerful error correction code (ECC).
- Power management for low power operation.

---

### 1.5.1. Flash Technology Independence

The 512-byte sector size of the miniSD Card is the same as that in an IDE magnetic disk drive. To write or read a sector (or multiple sectors), the host computer software simply issues a Read or Write command to the miniSD Card. This command contains the address. The host software then waits for the command to complete. The host software does not get involved in the details of how the flash memory is erased, programmed or read. This is extremely important as flash devices are expected to get more and more complex in the future. Because the miniSD Card uses an intelligent on-board controller, the host system software will not require changing as new flash memory evolves. In other words, systems that support the miniSD Card today will be able to access future SanDisk miniSD Cards built with new flash technology without having to update or change host software.

---

---

### **1.5.2. Defect and Error Management**

miniSD Cards contain a sophisticated defect and error management system. This system is analogous to the systems found in magnetic disk drives and in many cases offers enhancements. For instance, disk drives do not typically perform a read after write to confirm the data is written correctly because of the performance penalty that would be incurred. SanDisk miniSD cards do a read after write under margin conditions to verify that the data is written correctly. In the rare case that a bit is found to be defective, miniSD cards replace this bad bit with a spare bit within the sector header. If necessary, miniSD Cards will even replace the entire sector with a spare sector. This is completely transparent to the host and does not consume any user data space.

The miniSD Card's soft error rate specification is much better than the magnetic disk drive specification. In the extremely rare case a read error does occur, miniSD Cards have innovative algorithms to recover the data. This is similar to using retries on a disk drive but is much more sophisticated. The last line of defense is to employ a powerful ECC to correct the data. If ECC is used to recover data, defective bits are replaced with spare bits to ensure they do not cause any future problems. These defect and error management systems coupled with the solid-state construction give miniSD Cards unparalleled reliability.

---

### **1.5.3. Copyright Protection**

A detailed description of the Copyright Protection mechanism and related security miniSD Card commands can be found in the mini SD Security Specification document from the mini SD Association. All SD Card security related commands operate in the data transfer mode.

As defined in the SDMI specification, the data content that is saved in the card is saved already encrypted and it passes transparently to and from the card. No operation is done on the data and there is no restriction to read the data at any time. Associated with every data packet (e.g., a song) that is saved in the unprotected memory, there is special data that is saved in a protected memory area for any access (Read, Write or Erase command) to or from the data in the protected area. For an authentication procedure is done between the card and the connected device, either the LCM (PC for example) or the PD (portable device, such as SD player). After the authentication process passes, the card is ready to accept or give data from/to the connected device. While the card is in the secured mode of operation (after the authentication succeeded) the argument and the associated data that is sent to the card or read from the card are encrypted. At the end of the Read, Write or Erase operation, the card gets out automatically of its secured mode.

---

### **1.5.4. Endurance**

SanDisk miniSD Cards have an endurance specification for each sector of 100,000 writes typical (reading a logical sector is unlimited). This far exceeds what is typically required in nearly all applications of miniSD Cards. For example, even very heavy use of the miniSD Card in cellular phones, personal communicators, pagers and voice recorders will use only a fraction of the total endurance over the typical device's lifetime. For instance, it would take over 10 years to wear out an area on the miniSD Card on which a file of any size (from 512 bytes to maximum capacity) was rewritten 3 times per hour, 8 hours a day, 365 days per year.

With typical applications, the endurance limit is not of any practical concern to the vast majority of users.

---

### **1.5.5. Wear Leveling**

SanDisk miniSD Cards do not require or perform a Wear Level operation.

---

---

### **1.5.6. Using the Erase Command**

The Erase (sector or group) command provides the capability to substantially increase the write performance of the miniSD Card. Once a sector has been erased using the Erase command, a write to that sector will be much faster. This is because a normal write operation includes a separate sector erase prior to write.

---

### **1.5.7. Automatic Sleep Mode**

A unique feature of the SanDisk miniSD Card (and other SanDisk products) is automatic entrance and exit from sleep mode. Upon completion of an operation, the miniSD Card will enter the sleep mode to conserve power if no further commands are received within 5msec. The host does not have to take any action for this to occur. In most systems, the miniSD Card is in sleep mode except when the host is accessing it, thus conserving power.

When the host is ready to access the miniSD Card and it is in sleep mode, any command issued to the miniSD Card will cause it to exit sleep and respond.

---

### **1.5.8. Hot Insertion**

Support for hot insertion will be required on the host but will be supported through the connector. Connector manufacturers will provide connectors that have power pins long enough to be powered before contact is made with the other pins. Please see connector data sheets for more details. This approach is similar to that used in PCMCIA and MMCA devices to allow for hot insertion.

---

### **1.5.9. miniSD—SD Bus Mode**

The following sections provide valuable information on the SC Card in SD Bus mode.

---

#### **1.5.9.1. miniSD Standard Compliance**

The miniSD Card is fully compliant with mini SD Physical Layer Standard Specification V1.02. The structure of the Card Specific Data (CSD) register is compliant with CSD Structure 1.0.

---

#### **1.5.9.2. Negotiating Operation Conditions**

The miniSD Card supports the operation condition verification sequence defined in the miniSD Card standard specifications. Should the miniSD Card host define an operating voltage range, which is not supported by the miniSD Card it will put itself in an inactive state and ignore any bus communication. The only way to get the card out of the inactive state is by powering it down and up again.

In Addition the host can explicitly send the card to the inactive state by using the GO\_INACTIVE\_STATE command.

---

#### **1.5.9.3. Card Acquisition and Identification**

The miniSD bus is a single master (miniSD host application) and multi-slaves (cards) bus. The Clock and Power lines are common to all cards on the bus. During the identification process, the host accesses each card separately through its own command lines. The miniSD's CID register is pre-programmed with a unique card identification number, which is used during the identification procedure.

---

---

In addition, the miniSD host can read the card's CID register using the READ\_CID SD Card command. The CID register is programmed during the miniSD testing and formatting procedure, on the manufacturing floor. The miniSD host can only read this register and not write to it.

An internal pull-up resistor on the DAT3 line may be used for card detection (insertion/removal). The resistor can be disconnected during data transfer (using ACMD42). Additional practical card detection methods can be found in SD Physical Specification's Application Notes given by the SDA.

---

#### **1.5.9.4. Card Status**

The card status is separated into the following two fields:

- **Card Status** is stored in a 32-bit status register that is sent as the data field in the card respond to host commands. Status register provides information about the card's current state and completion codes for the last host command. The card status can be explicitly read (polled) with the SEND\_STATUS command.
- **SD\_Status** is stored in 512 bits that are sent as a single data block after it was requested by the host using the SD\_STATUS (ACMD13) command. SD\_STATUS contains extended status bits that relate to BUS\_WIDTH, security related bits and future specific applications.

---

#### **1.5.9.5. Memory Array Partitioning**

The basic unit of data transfer to/from the miniSD is one byte. All data transfer operations which require a block size always define block lengths as integer multiples of bytes. Some special functions need other partition granularity. Figure 1-2 shows the Memory Array Partitioning.

For block-oriented commands, the following definition is used:

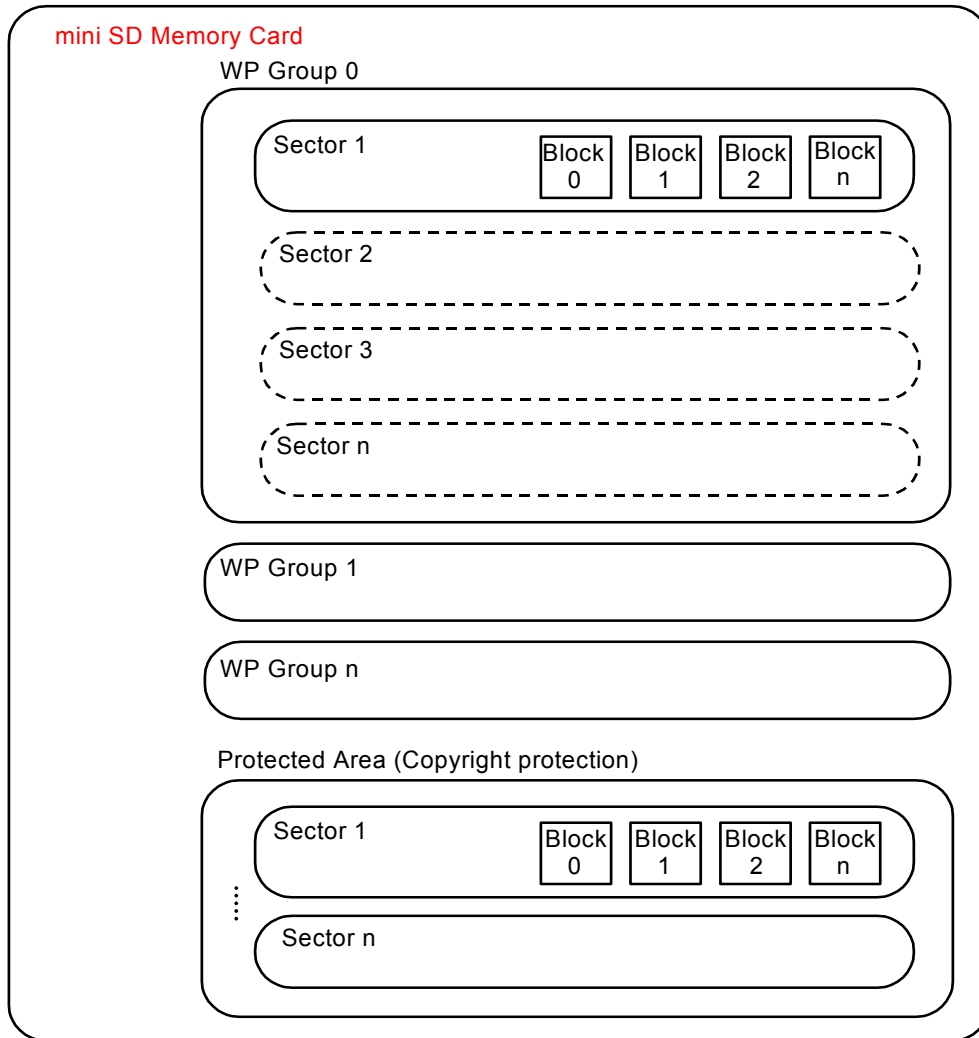
- **Block**—The unit that is related to the block-oriented read and write commands. Its size is the number of bytes that are transferred when one block command is sent by the host. The size of a block is either programmable or fixed. The information about allowed block sizes and the programmability is stored in the CSD.

The granularity of the erasable units is in general not the same as for the block-oriented commands:

- **Sector**—The unit that is related to the erase commands. Its size is the number of blocks that are erased in one portion. The size of a sector is fixed for each device. The information about the sector size (in blocks) is stored in the CSD.

For devices that include write protection, the following definition is used:

- **WP Group**—The minimal unit that may which may have individual write protection. Its size is the number of groups which will be write protected by one bit. The size of a WP-group is fixed for each device. The information about the size is stored in the CSD.



**Figure 1-2. Memory Array Partitioning**

**Table 1-5. Memory Array Structures Summary**

Part Number	Block Size (Byte)	Data Area + Protected size (Blocks)	Protected Area size (Blocks)	User Area (Blocks)
SDSDM-256	512	499,456	5,376	494,080
SDSDM-128	512	248,640	2,624	246,016
SDSDM-64	512	123,232	1,376	121,856
SDSDM-32	512	60,512	736	59,776
SDSDM-16	512	29,152	352	28,800

NOTE: All measurements are in units per card.

Protected Area—The part of the Card that relates to the secured copyright management and has separate DOS partitioning including sectors and blocks. The card-write protection mechanism does not affect this area.

### 1.5.9.6. Read and Write Operations

The miniSD Card supports two read/write modes as shown in Figure 1-3.

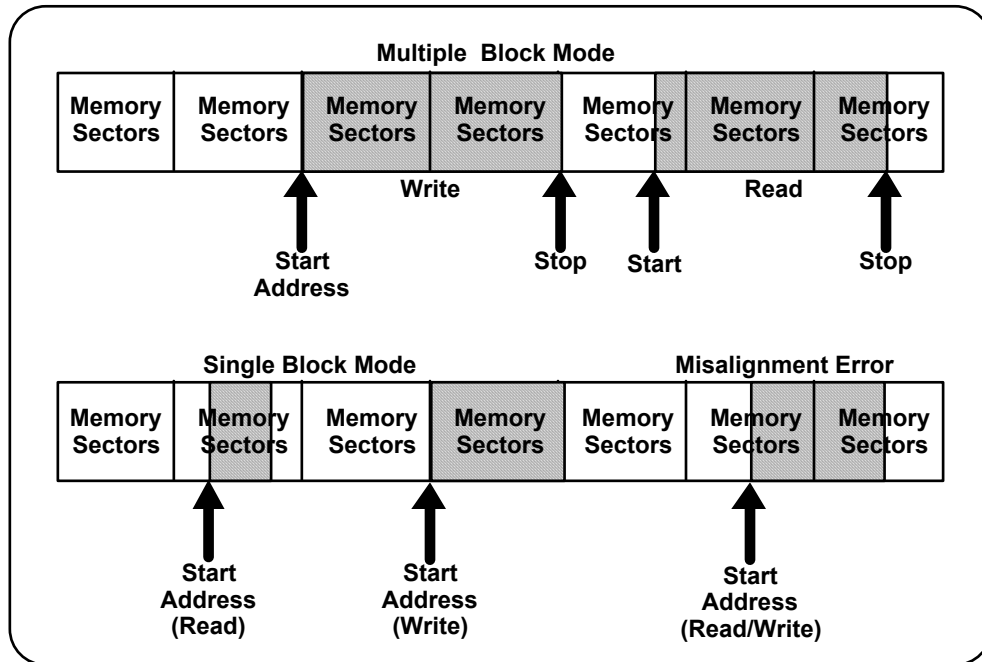


Figure 1-3. Data Transfer Formats

### Single Block Mode

In this mode the host reads or writes one data block in a pre-specified length. The data block transmission is protected with 16-bit CRC that is generated by the sending unit and checked by the receiving unit.

The block length for read operations is limited by the device sector size (512 bytes) but can be as small as a single byte. Misalignment is not allowed. Every data block must be contained in a single physical sector. The block length for write operations must be identical to the sector size and the start address aligned to a sector boundary.

### Multiple Block Mode

This mode is similar to the single block mode, but the host can read or write multiple data blocks (all have the same length) which will be stored or retrieved from contiguous memory addresses starting at the address specified in the command. The operation is terminated with a stop transmission command.

Misalignment and block length restrictions apply to multiple blocks as well and are identical to the single block read/write operations.

---

### 1.5.9.7. Data Transfer Rate

The miniSD Card can be operated using either a single data line (DAT0) or four data lines (DAT0-DAT3) for data transfer. The maximum data transfer rate for a single data line is 25-Mb/sec. and for four data lines it is 100 Mb (12.5 MB) per second.

---

### 1.5.9.8. Data Protection in the Flash Card

Every sector is protected with an Error Correction Code (ECC). The ECC is generated (in the memory card) when the sectors are written and validated when the data is read. If defects are found, the data is corrected prior to transmission to the host.

---

---

#### **1.5.9.9. Erase**

The smallest erasable unit in the miniSD Card is a sector. In order to speed up the erase procedure, multiple sectors can be erased at the same time. To facilitate selection, a first command with the starting address is followed by a second command with the final address, and all sectors within this range will be selected for erase.

---

#### **1.5.9.10. Write Protection**

Two-card level write-protection options are available: permanent and temporary. Both can be set using the PROGRAM\_CSD command (see below). The permanent write protect bit, once set, cannot be cleared. This feature is implemented in the miniSD Card controller firmware and not with a physical OTP cell.

**NOTE:** Use the Write Protect (WP) Switch located on the card's side edge to prevent the host from writing to or erasing data on the card. The WP switch does not have any influence on the internal Permanent or Temporary WP bits in the CSD.

---

#### **1.5.9.11. Copy Bit**

The content of a miniSD Card can be marked as an original or a copy using the copy bit in the CSD register. Once the Copy bit is set (marked as a copy) it cannot be cleared. The Copy bit of the miniSD Card is programmed (during test and formatting on the manufacturing floor) as a copy. The miniSD Card can be purchased with the copy bit set (copy) or cleared, indicating the card is a master. This feature is implemented in the miniSD Card controller firmware and not with a physical OTP cell.

---

#### **1.5.9.12. The CSD Register**

All the configuration information of the miniSD Card is stored in the CSD register. The MSB bytes of the register contain manufacturer data and the two least significant bytes contain the host-controlled data, the card Copy, write protection and the user file format indication.

The host can read the CSD register and alter the host controlled data bytes using the SEND\_CSD and PROGRAM\_CSD commands.

---

#### **1.5.10. miniSD Card—SPI Mode**

The SPI mode is a secondary communication protocol for miniSD Cards. This mode is a subset of the miniSD Card protocol, designed to communicate with an SPI channel, commonly found in Motorola's (and lately a few other vendors') microcontrollers.

---

---

### **1.5.10.1. Negotiating Operating Conditions**

The operating condition negotiation function of the miniSD Card bus is supported differently in SPI mode by using the READ\_OCR (CMD58) command. The host shall work within the valid voltage range (2.7 to 3.6 volts) of the card or put the card in inactive state by sending a GO\_INACTIVE command to the card.

---

### **1.5.10.2. Card Acquisition and Identification**

The host must know the number of cards currently connected on the bus. Specific card selection is done via the CS signal (CD/DAT3). The internal pull-up resistor on the CD/DAT3 line may be used for card detection (insertion/removal). Additional practical card detection methods can be found in SD Physical Specification's Application Notes given by the SDA.

---

### **1.5.10.3. Card Status**

In SPI mode, only 16 bits (containing the errors relevant to SPI mode) can be read out of the 32-bit miniSD Card status register. The SD\_STATUS can be read using ACMD13, the same as in SD Bus mode.

---

### **1.5.10.4. Memory Array Partitioning**

Memory partitioning in SPI mode is equivalent to SD Bus mode. All read and write commands are byte addressable with the limitations given in Section 1.5.9.5.

---

### **1.5.10.5. Read and Write Operations**

In SPI mode, both single and multiple block data transfer modes are supported.

---

### **1.5.10.6. Data Transfer Rate**

In the SPI mode, only one data line is used for each direction. The SPI mode data transfer rate is the same as the SD Bus mode data transfer rate when using one data line only (up to 25 Mb per second).

---

### **1.5.10.7. Data Protection in the miniSD Card**

Same as SD Card mode.

---

### **1.5.10.8. Erase**

Same as SD Card mode.

---

### **1.5.10.9. Write Protection**

Same as SD Card mode.

---

### **1.5.10.10. Copyright Protection**

Same as SD Card mode.

---

*This page intentionally left blank.*



## 2. Product Specifications

For all the following specifications, values are defined at ambient temperature and nominal supply voltage unless otherwise stated.

### 2.1. System Environmental Specifications

Table 2-1. System Environmental Specifications

<b>Temperature</b>	Operating: Non-Operating:	-25° C to 85° C -40° C to 85° C
<b>Humidity</b>	Operating: Non-Operating:	25% to 95%, non-condensing 25% to 95%, non-condensing
<b>ESD Protection</b>	Contact Pads:  Non Contact Pad Area:	± 4kV, Human body model according to ANSI EOS/ESD-S5.1-1998  ± 8kV (coupling plane discharge) ± 15kV (air discharge) Human body model per IEC61000-4-2

### 2.2. Reliability and Durability

Table 2-3. Reliability and Durability Specifications

Durability	10,000 mating cycles
Bending	10N
Torque	0.10N.m
Drop Test	1.5m free fall
UV Light Exposure	UV: 254nm, 15Ws/cm <sup>2</sup> according to ISO 7816-1
Visual Inspection/Shape and Form	No warpage; no mold skin; complete form; no cavities; surface smoothness $\leq -0.1$ mm/cm <sup>2</sup> within contour; no cracks; no pollution (oil, dust, etc.)

---

---

## 2.3. Typical Card Power Requirements

**Table 2-5. Card Power Requirements**

VDD (ripple: max, 60mV peak to peak)	2.7V – 3.6V
--------------------------------------	-------------

(Ta = Room)

	Capacity	Value	Measurement	Notes
Sleep	All	150	uA	Max
Read	16, 32 MB	25	mA	Typical
Read	64, 128, 256 MB	30	mA	Typical
Write	16, 32 MB	30	mA	Typical
Write	64, 128, 256 MB	40	mA	Typical

---

## 2.4. System Performance

**Table 2-7. System Performance**

	Typical	Maximum
Block Read Access Time Binary Products MLC Products	1.5msec 10msec	100msec 100msec
Block Write Access Time Binary Products MLC Products	24msec 40msec	250msec 250msec
CMD1 to Ready (after power up)	50msec	500msec
Sleep to Ready	1msec	2msec

**NOTE:** All values quoted are under the following conditions:

- 1) Voltage range: 2.7 V to 3.6 V.
- 2) Temperature range: -25° C to 85° C.
- 3) Are independent of the miniSD Card clock frequency.

---

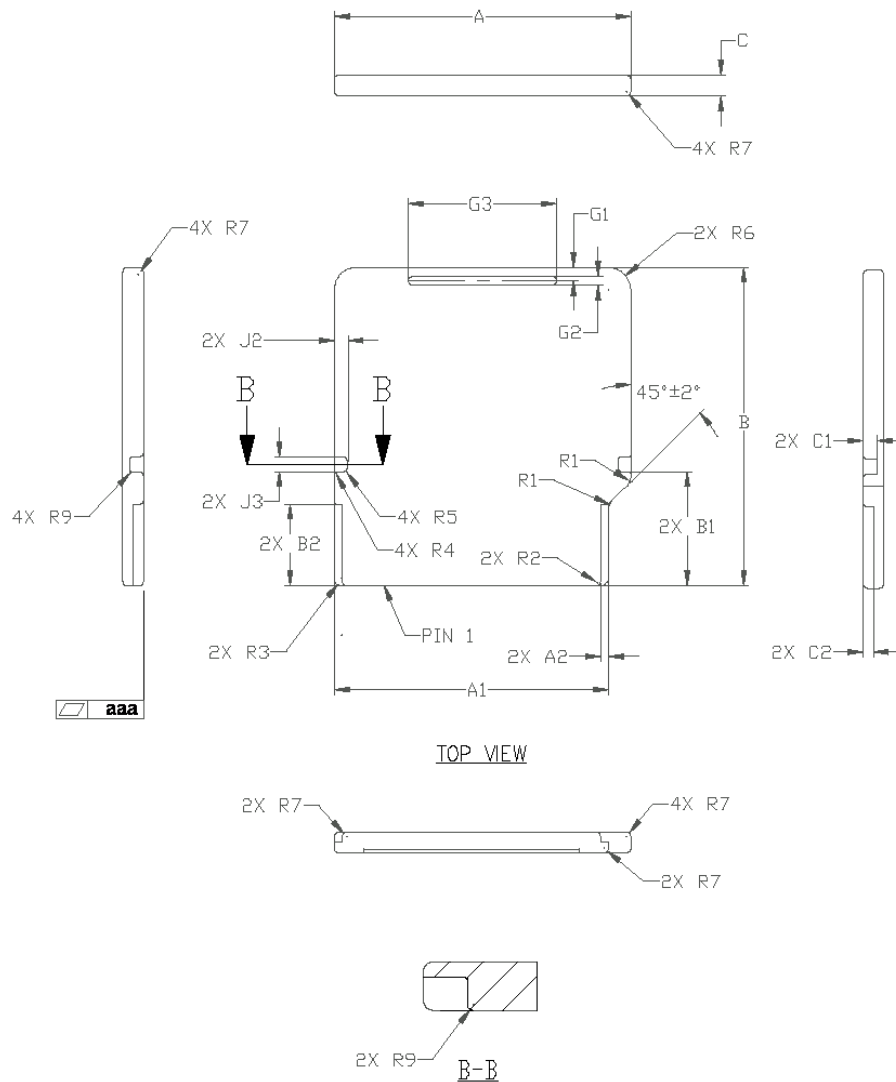
## 2.5. System Reliability and Maintenance

**Table 2-9. System Reliability and Maintenance Specifications**

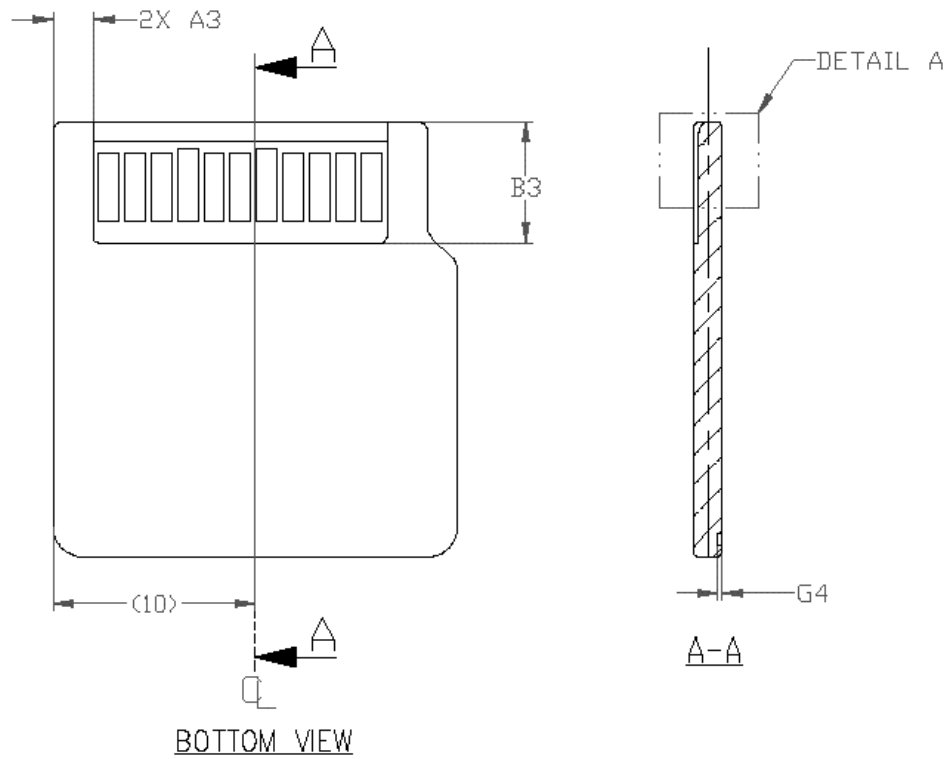
MTBF	> 1,000,000 hours
Preventive Maintenance	None
Data Reliability	< 1 non-recoverable error in 10 <sup>14</sup> bits read
Endurance	100,000 write/erase cycles (typical)

## 2.6. Physical Specifications

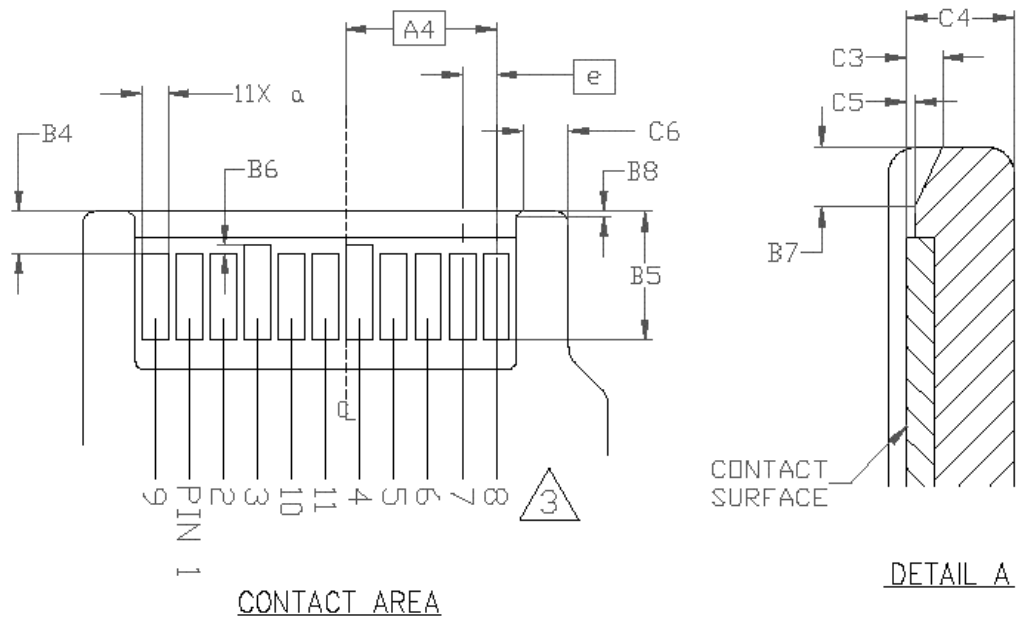
Refer to Figures 2-1 through 2-5 for miniSD Card physical specifications and dimensions.



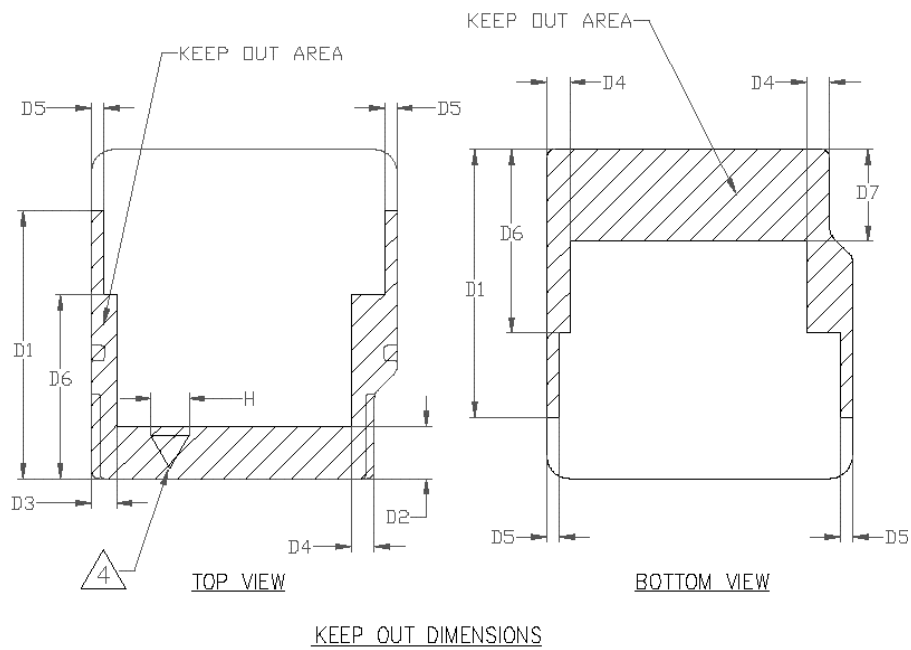
**Figure 2-1. SanDisk miniSD Card Dimensions**



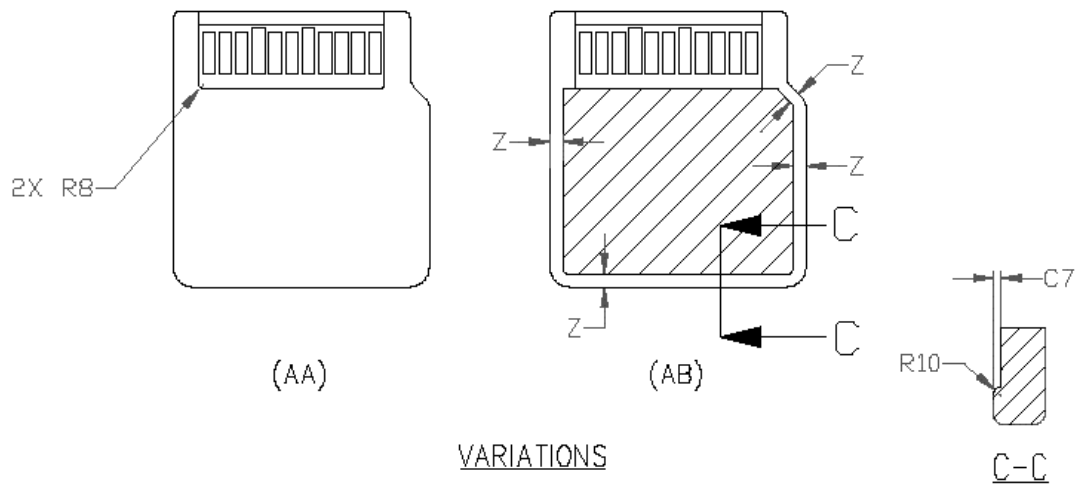
**Figure 2-2. SanDisk miniSD Card Dimensions**



**Figure 2-3. SanDisk miniSD Card Dimensions**



**Figure 2-4. miniSD Card Dimensions**



**Figure 2-5. miniSD Card Dimensions**

COMMON DIMENSIONS				
SYMBOL	MIN	NOM	MAX	NOTE
A	19.90	20.00	20.10	
A1	18.40	18.50	18.60	
A2	0.50	0.60	0.70	
A3	1.45	-	2.05	
A4	-	5.75	-	BASIC
B	21.40	21.50	21.60	
B1	7.60	7.70	7.80	
B2	5.40	5.50	5.60	
B3	5.85	6.00	6.15	
B4	1.45	1.60	1.75	
B5	5.20	-	-	
B6	0.20	0.30	0.40	
B7	0.55	0.65	0.75	
B8	0.20	-	-	△5
C	1.30	1.40	1.50	
C1	0.80	0.90	1.00	
C2	0.55	0.70	0.85	
C3	0.30	0.40	0.50	
C4	1.10	1.20	1.30	
C5	0.00	-	0.20	
C6	-	-	1.85	
C7	0.00	-	0.20	
D1	17.50	-	-	
D2	3.40	-	-	
D3	1.65	-	-	
D4	1.50	-	-	
D5	0.80	-	-	
D6	12.00	-	-	
D7	6.00	-	-	
G1	0.75	0.90	1.05	
G2	0.60	-	-	
G3	10.00	-	-	
G4	0.20	-	-	
H	-	-	2.50	
J2	0.90	1.00	1.10	
J3	1.00	1.20	1.40	
R1	0.15	0.30	0.45	
R2	0.10	0.20	0.30	
R3	0.35	0.50	0.65	
R4	0.05	0.10	0.15	
R5	0.00	0.20	0.40	
R6	-	-	1.10	
R7	0.15	0.30	0.45	
R9	-	-	0.20	
a	0.85	1.00	1.15	
e	-	1.30	-	BASIC
aaa	-	-	0.20	

VARIATION				AA			AB		
SYMBOL	MIN	NOM	MAX	MIN	NOM	MAX	MIN	NOM	MAX
R8	0.10	0.20	0.30	-	-	-	-	-	-
R10	-	-	-	0.10	0.20	0.30	-	-	-
Z	-	-	-	0.60	-	-	-	-	-
NOTE									

NOTES:

1 DIMENSIONING AND TOLERANCING PER ASME Y14.5M-1994.

2 DIMENSIONS ARE IN MILLIMETERS.

△3 THE FOLLOWING PIN ASSIGNMENT IS PER SDA SPECIFICATION.

△4 RECESSED ARROW 0.025MM DEEP MAX.

△5 NOT REQUIRED IF A3 IS LESS THAN OR EQUAL TO 1.85MM.

PIN NO. PIN NAME (SD MODE)

1	CD/DAT3
2	CMD
3	VSS1
4	VDD
5	CLK
6	VSS2
7	DAT0
8	DAT1
9	DAT2
10	NC (FOR FUTURE USE)
11	NC (FOR FUTURE USE)

Table 2-6. miniSD Card Dimensions

---

*This page intentionally left blank.*



## 3. miniSD Card Interface Description

### 3.1. General Description of Pins and Registers

The miniSD Card has 11 exposed contacts on one side. The host is connected to the miniSD Card using a dedicated 9-pin connector.

#### 3.1.1. Pin Assignments in mini SD Mode

Figure 3-1 lists the pin assignments and definitions in SD bus / SPI Mode.

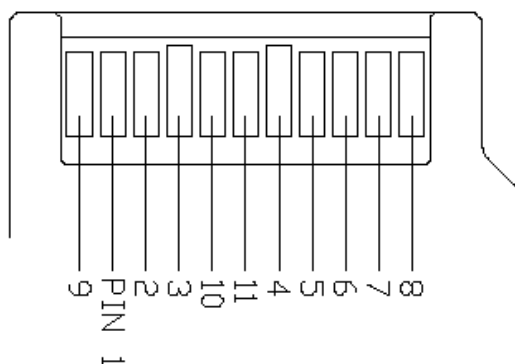


Figure 3-1. Contact Area

Pin #	SD Mode			SPI Mode		
	Name	Type <sup>1</sup>	Description	Name	Type	Description
1	CD/DAT3 <sup>2</sup>	I/O/PP <sup>3</sup>	Card Detect / Data Line [Bit 3]	CS	I	Chip Select (neg true)
2	CMD	PP	Command/Response	DI	I	Data In
3	V <sub>SS1</sub>	S	Supply voltage ground	V <sub>SS</sub>	S	Supply voltage ground
4	V <sub>DD</sub>	S	Supply voltage	V <sub>DD</sub>	S	Supply voltage
5	CLK	I	Clock	SCLK	I	Clock
6	V <sub>SS2</sub>	S	Supply voltage ground	V <sub>SS2</sub>	S	Supply voltage ground
7	DAT0	I/O/PP	Data Line [Bit 0]	DO	O/PP	Data Out
8	DAT1	I/O/PP	Data Line [Bit 1]	RSV		
9	DAT2	I/O/PP	Data Line [Bit 2]	RSV		
10	NC <sup>4</sup>	I/O/PP	For Future Use	NC		For Future Use
11	NC <sup>4</sup>	I/O/PP	For Future Use	NC		For Future Use

Table 3-1. miniSD Memory Card Pad Assignment

- 1) S: power supply; I: input; O: output using push-pull drivers; PP: I/O using push-pull drivers ;
- 2) The extended DAT lines (DAT1-DAT3) are input on power up. They start to operate as DAT lines after SET\_BUS\_WIDTH command. The Host shall keep its own DAT1-DAT3 lines in input mode,

---

as well, while they are not used. It is defined so, in order to keep compatibility to MultiMediaCards.

- 3) After power up this line is input with 50KOhm pull-up (can be used for card detection or SPI mode selection). The pull-up should be disconnected by the user, during regular data transfer, with SET\_CLR\_CARD\_DETECT (ACMD42) command
- 4) NC pins should be left open.

---

### 3.1.2. miniSD Card Registers

**Table 3-2. miniSD Card Registers**

Name	Width	Description
CID	128	Card identification number: individual card number for identification.
RCA <sup>1</sup>	16	Relative card address: local system address of a card, dynamically suggested by the card and approved by the host during initialization.
CSD	128	Card specific data: information about the card operation conditions.
SCR	64	SD Configuration Register: information about the miniSD Card's special features capabilities.
OCR	32	Operation Condition Register

NOTE: 1) The RCA register is not available in SPI Mode.

The host may reset the cards by switching the power supply off and on again. The card has its own power-on detection circuitry that puts the card into an idle state after the power-on. The card can also be reset by sending the GO\_IDLE (CMD0) command.

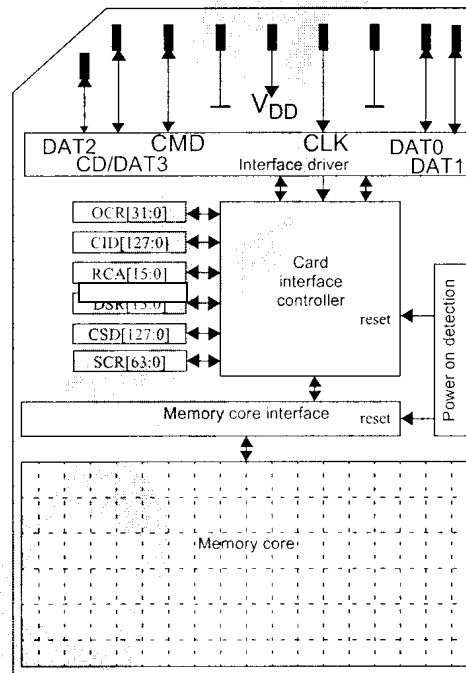


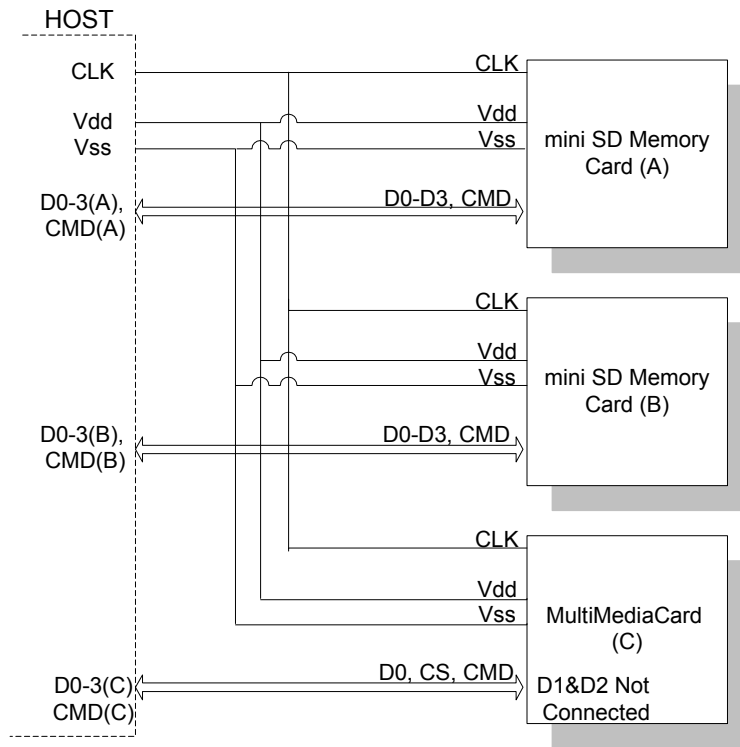
Figure 3-2. SD Card Architecture

### 3.2. SD Bus Topology

The SD bus has six communication lines and three supply lines:

- **CMD**—Command is a bi-directional signal. (Host and card drivers are operating in push pull mode.)
- **DAT0-3**—Data lines are bi-directional signals. (Host and card drivers are operating in push pull mode.)
- **CLK**—Clock is a host to cards signal. (CLK operates in push pull mode.)
- **VDD**—VDD is the power supply line for all cards.
- **VSS [1:2]**—VSS are two ground lines.

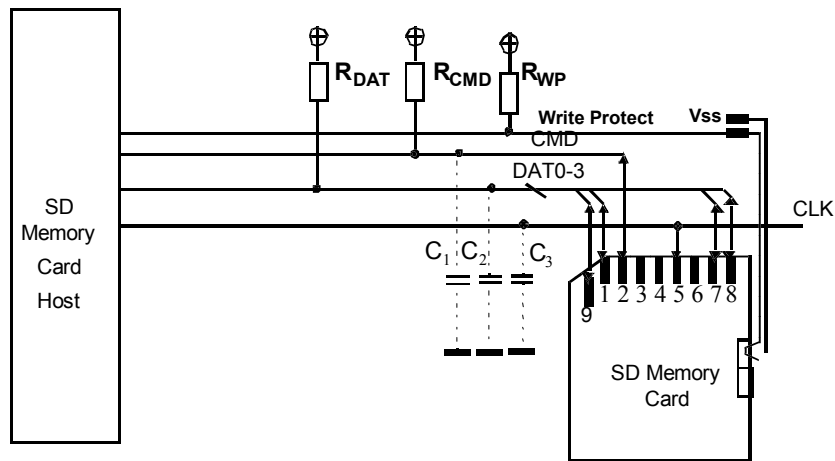
Figure 3-3 shows the bus topology of several cards with one host in SD Bus mode.



**Figure 3-3. miniSD Card System Bus Topology**

During the initialization process, commands are sent to each card individually, allowing the application to detect the cards and assign logical addresses to the physical slots. Data is always sent to each card individually. However, to simplify the handling of the card stack, after initialization, all commands may be sent concurrently to all cards. Addressing information is provided in the command packet.

The SD Bus allows dynamic configuration of the number of data lines. After power-up, by default, the miniSD Card will use only DAT0 for data transfer. After initialization, the host can change the bus width (number of active data lines). This feature allows an easy trade off between hardware cost and system performance.



**Figure 3-4. Bus Circuitry Diagram**

$R_{DAT}$  and  $R_{CMD}$  are pull-up resistors protecting the CMD and the DAT line against bus floating when no card is inserted or when all card drivers are in a hi-impedance mode.

### Hot Insertion/Removal

Hot insertion and removal are allowed: the SanDisk miniSD Card will not be damaged by inserting or removing it into the SD bus even when the power is up.

- The inserted card will be properly reset also when CLK carries a clock frequency  $f_{pp}$ .
- The bus master, using the CRC codes that suffix every bus transaction, should detect data transfer failures induced by removal or insertion.

### 3.2.1. Power Protection

Cards can be inserted into or removed from the bus without damage. If one of the supply pins ( $V_{DD}$  or  $V_{SS}$ ) is not connected properly, then the current is drawn through a data line to supply the card.

Data transfer operations are protected by CRC codes; therefore, the SD bus master can detect any bit changes induced by card insertion and removal. The inserted card must be properly reset also when CLK carries a clock frequency  $f_{pp}$ . If the hot insertion feature is implemented in the host, then the host has to withstand a shortcut between  $V_{DD}$  and  $V_{SS}$  without damage.

### 3.3. SPI Bus Topology

The miniSD Card, SPI Interface is compatible with SPI hosts available on the market. Similar to any other SPI device, the miniSD Card's SPI channel consists of the following four signals:

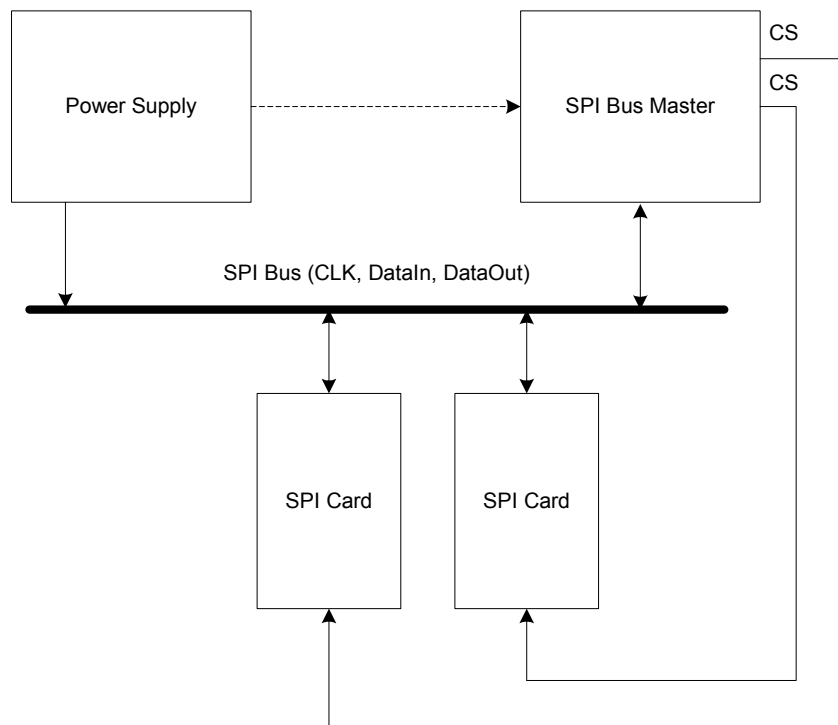
- **CS**—Host to card Chip Select signal.
- **CLK**—Host to card clock signal.
- **DataIn**—Host to card data signal.
- **DataOut**—Card to host data signal.

---

Another SPI common characteristic, which is implemented in the miniSD Card as well, is byte transfers. All data tokens are multiples of 8-bit bytes and always byte aligned to the CS signal. The SPI standard defines the physical link only and not the complete data transfer protocol. In SPI Bus mode, the miniSD Card uses a subset of the miniSD Card protocol and command set.

The miniSD Card identification and addressing algorithms are replaced by the hardware Chip Select (CS) signal. A card (slave) is selected, for every command, by asserting (active low) the CS signal (see Figure 3-5). The CS signal must be continuously active for the duration of the SPI transaction (command, response and data). The only exception is card-programming time. At this time the host can de-assert the CS signal without affecting the programming process.

The bi-directional CMD and DAT lines are replaced by unidirectional dataIn and dataOut signals. This eliminates the ability of executing commands while data is being read or written. An exception is the multi read/write operations. The Stop Transmission command can be sent during data read. In the multi block write operation a Stop Transmission token is sent as the first byte of the data block.



**Figure 3-5. miniSD Card Bus System**

---

### **3.3.1. Power Protection**

Same as SD Card mode.

## 3.4. Electrical Interface

The following sections provide valuable information for the electrical interface.

### 3.4.1. Power-up

The power up of the SD Card bus is handled locally in each miniSD Card and in the bus master.

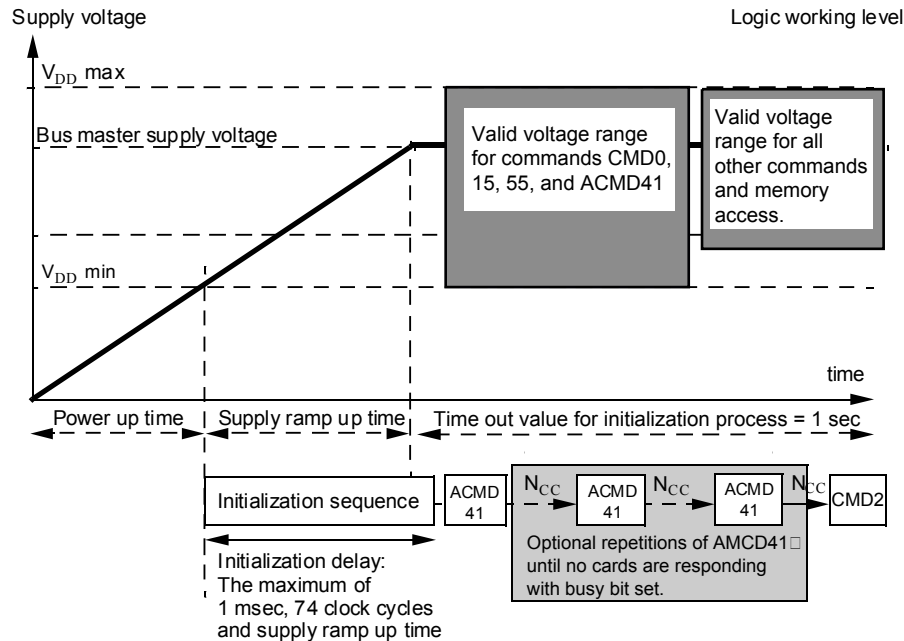


Figure 3-6. Power-up Diagram

After power up, including hot insertion (i.e., inserting a card when the bus is operating) the miniSD Card enters the *idle state*. During this state the miniSD Card ignores all bus transactions until ACMD41 is received (ACMD command type shall always precede with CMD55).

ACMD41 is a special synchronization command used to negotiate the operation voltage range and to poll the cards until they are out of their power-up sequence. Besides the operation voltage profile of the cards, the response to ACMD41 contains a busy flag, indicating that the card is still working on its power-up procedure and is not ready for identification. This bit informs the host that the card is not ready. The host has to wait (and continue to poll the cards, each one on his turn) until this bit is cleared. The maximum period of power up procedure of single card shall not exceed 1 second.

Getting individual cards, as well as the whole miniSD Card system, out of *idle state* is up to the responsibility of the bus master. Since the power up time and the supply ramp up time depend on application parameters such as the maximum number of miniSD Cards, the bus length and the power supply unit, the host must ensure that the power is built up to the operating level (the same level which will be specified in ACMD41) before ACMD41 is transmitted.

After power up, the host starts the clock and sends the initializing sequence on the CMD line. This sequence is a contiguous stream of logical ‘1’s. The sequence length is the maximum of 1msec, 74 clocks or the supply-ramp-up-time; the additional 10 clocks (over the 64 clocks after what the card should be ready for communication) is provided to eliminate power-up synchronization problems.

Every bus master shall have the capability to implement ACMD41 and CMD1. CMD1 will be used to ask MultiMediaCards to send their Operation Conditions. In any case the ACMD41 or the CMD1 shall be send separately to each card accessing it through its own CMD line.

### 3.4.2. Bus Operating Conditions

SPI Mode bus operating conditions are identical to SD Card mode bus operating conditions. Table 3-3 lists the power supply voltages. The CS (chip select) signal timing is identical to the input signal timing (see Figure 3-8).

**Table 3-3. Power Supply Voltage**

General					
Parameter	Symbol	Min.	Max.	Unit	Remark
Peak voltage on all lines		-0.3	VDD+0.3	V	
All Inputs					
Input Leakage Current		-10	10	μA	
All Outputs					
Output Leakage Current		-10	10	μA	
Power Supply Voltage					
Parameter	Symbol	Min.	Max.	Unit	Remark
Supply Voltage	V <sub>DD</sub>	2.0	3.6	V	CMD0, 15, 55, ACMD41 commands
Supply Voltage		2.7	3.6	V	Except CMD0, 15, 55, ACMD41 commands
Supply voltage differentials (V <sub>SS1</sub> , V <sub>SS2</sub> )		-0.3	0.3	V	
Power up Time			250	mS	From 0V to V <sub>DD</sub> Min.

### 3.4.3. Bus Signal Line Load

The total capacitance CL of the CLK line of the miniSD Card bus is the sum of the bus master capacitance CHOST, the bus capacitance CBUS itself and the capacitance CCARD of each card connected to this line:

$$CL = CHOST + CBUS + N*CCARD$$

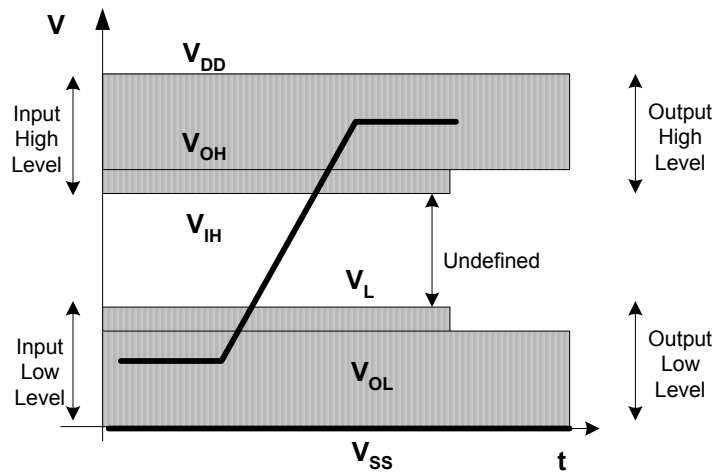
Where N is the number of connected cards. Requiring the sum of the host and bus capacitances not to exceed 30 pF for up to 10 cards, and 40 pF for up to 30 cards, the values in Table 3-4 must not be exceeded.

**Table 3-4. Signal Line's Load**

Parameter	Symbol	Min.	Max.	Unit	Remark
Pull-up resistance	R <sub>CMD</sub> R <sub>DAT</sub>	10	100	kΩ	To prevent bus floating
Bus signal line capacitance	C <sub>L</sub>		250	pF	f <sub>PP</sub> ≤ 5 MHz, 21 cards
Bus signal line capacitance	C <sub>L</sub>		100	pF	f <sub>PP</sub> ≤ 20 MHz, 7 cards
Single card capacitance	C <sub>CARD</sub>		10	pF	
Maximum signal line inductance			16	nH	f <sub>PP</sub> ≤ 20 MHz
Pull-up resistance inside card (pin 1)	R <sub>DAT3</sub>	10	90	kΩ	May be used for card detection

### 3.4.4. Bus Signal Levels

As the bus can be supplied with a variable supply voltage, all signal levels are related to the supply voltage (see Figure 3-7).



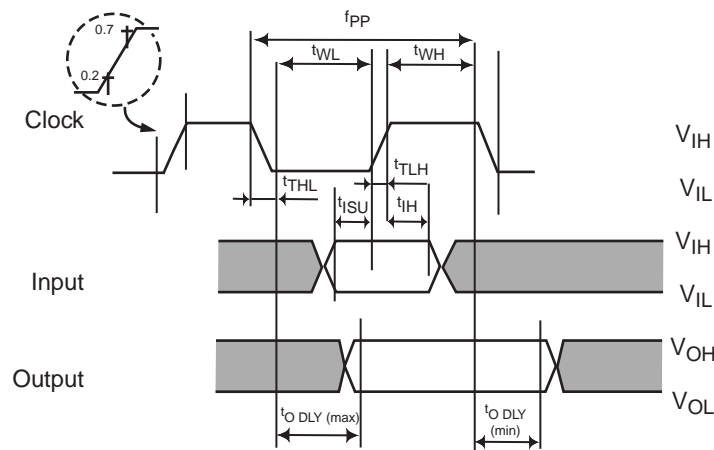
**Figure 3-7. Bus Signal Levels**

To meet the requirements of the JEDEC specification JESD8-1A, the card input and output voltages shall be within the specified ranges in Table 3-5 for any VDD of the allowed voltage range.

**Table 3-5. Input and Output Voltages**

Parameter	Symbol	Min.	Max.	Unit	Conditions
Output HIGH voltage	VOH	0.75*VDD		V	IOH=-100 μA @VDD (min.)
Output LOW voltage	VOL		0.125*VDD	V	IOL=100 μA @VDD (min.)
Input HIGH voltage	VIH	0.625*VDD	VDD + 0.3	V	
Input LOW voltage	VIL	VSS-0.3	0.25*VDD	V	

### 3.4.5. Bus Timing



Shaded areas are not valid.

Figure 3-8. Timing Diagram Data Input/Output Referenced to Clock

Table 3-6. Bus Timing

Parameter	Symbol	Min.	Max.	Unit	Remark
<b>Clock CLK (All values are referred to min. (<math>V_{IH}</math>) and max. (<math>V_{IL}</math>))</b>					
Clock Frequency Data Transfer Mode	$f_{PP}$	0	25	MHz	$C_L \leq 100$ pF (7 cards)
Clock Frequency Identification Mode (The low frequency is required for MultiMediaCard compatibility)	$f_{OD}$	0 <sub>(1)</sub> / 100KHz	400	kHz	$C_L \leq 250$ pF (21 cards)
Clock Low Time	$t_{WL}$	10		ns	$C_L \leq 100$ pF (7 cards)
Clock High Time	$t_{WH}$	10		ns	$C_L \leq 100$ pF (7 cards)
Clock Rise Time	$t_{TLH}$		10	ns	$C_L \leq 100$ pF (10 cards)
Clock Fall Time	$t_{THL}$		10	ns	$C_L \leq 100$ pF (7 cards)
Clock Low Time	$t_{WL}$	50		ns	$C_L \leq 250$ pF (21 cards)
Clock High Time	$t_{WH}$	50		ns	$C_L \leq 250$ pF (21 cards)
Clock Rise Time	$t_{TLH}$		50	ns	$C_L \leq 250$ pF (21 cards)
Clock Fall Time	$t_{THL}$		50	ns	$C_L \leq 250$ pF (21 cards)
<b>Inputs CMD, DAT (referenced to CLK)</b>					
Input set-up time	$t_{ISU}$	5		ns	$C_L \leq 25$ pF (1 card)

Parameter	Symbol	Min.	Max.	Unit	Remark
Input hold time	$t_{IH}$	5		ns	$C_L \leq 25$ pF (1 card)
<b>Outputs CMD, DAT (referenced to CLK)</b>					
Output delay time during Data Transfer Mode	$t_{ODLY}$	0	14	ns	$C_L \leq 25$ pF (1 card)
Output delay time during Identification Mode	$t_{ODLY}$	0	50	ns	$C_L \leq 25$ pF (1 card)

NOTE: 0 Hz stops the clock. The given minimum frequency range is for cases where a continuous clock is required.

### 3.5. miniSD Card Registers

There is a set of seven registers within the card interface. The OCR, CID, CSD and SCR registers carry the card configuration information. The RCA register holds the card relative communication address for the current session. The card status and SD status registers hold the communication protocol related status of the card.

#### 3.5.1. Operating Conditions Register (OCR)

The 32-bit operation conditions register stores the  $V_{DD}$  voltage profile of the card. The miniSD Card is capable of executing the voltage recognition procedure (CMD1) with any standard miniSD Card host using operating voltages from 2 to 3.6 Volts.

Accessing the data in the memory array, however, requires 2.7 to 3.6 Volts. The OCR shows the voltage range in which the card data can be accessed. The structure of the OCR register is described in Table 3-7.

**Table 3-7. OCR Register Definition**

OCR Bit	VDD Voltage Window
0-3	Reserved
4	1.6-1.7
5	1.7-1.8
6	1.8-1.9
7	1.9-2.0
8	2.0-2.1
9	2.1-2.2
10	2.2-2.3
11	2.3-2.4
12	2.4-2.5
13	2.5-2.6
14	2.6-2.7
15	2.7-2.8
16	2.8-2.9
17	2.9-3.0
18	3.0-3.1
19	3.1-3.2
20	3.2-3.3

OCR Bit	VDD Voltage Window
21	3.3-3.4
22	3.4-3.5
23	3.5-3.6
24-30	reserved
31	Card power up status bit (busy)

The level coding of the OCR register is as follows:

- Restricted voltage windows=LOW
- Card busy=LOW (bit 31)

The least significant 31 bits are constant and will be set as described in Figure 3-9. If bit 32 (the busy bit) is set, it informs the host that the card power up procedure is finished.

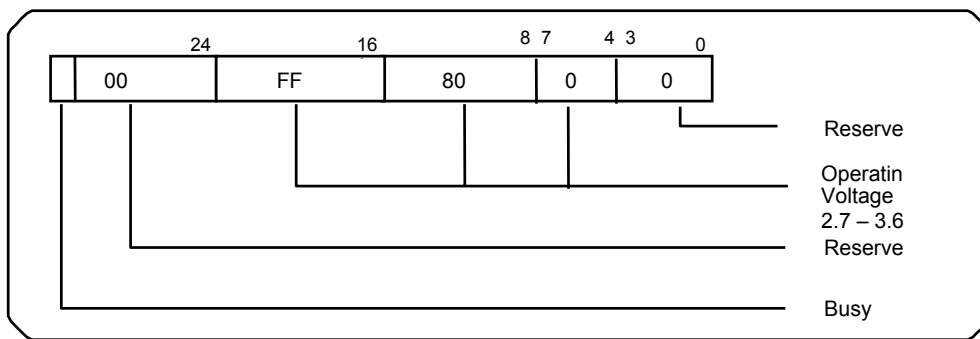


Figure 3-9. OCR Structure

### 3.5.2. Card Identification (CID) Register

The CID register is 16 bytes long and contains a unique card identification number as shown in Table 3-8. It is programmed during card manufacturing and cannot be changed by miniSD Card hosts. Note that the CID register in the miniSD Card has a different structure than the CID register in the MultiMediaCard.

Table 3-8. CID Fields

Name	Type	Width	CID—Slice	Comments	CID Value
Manufacturer ID (MID)	Binary	8	[127:120]	The manufacturer IDs are controlled and assigned by the SD Card Association.	0x03
OEM/Application ID (OID)	ASCII	16	[119:104]	Identifies the card OEM and/or the card contents. The OID is assigned by the 3C.*	SD ASCII Code 0x53, 0x44
Product Name (PNM)	ASCII	40	[103:64]	5 ASCII characters long	SD256, SD128, SD064, SD032, SD016
Product Revision** (PRV)	BCD	8	[63:56]	Two binary coded decimal digits	Product Revision (55)
Serial Number (PSN)	Binary	32	[55:24]	32 Bits unsigned integer	Product Serial Number
Reserved		4	[23:20]		
Manufacture Date Code (MDT)	BCD	12	[19:8]	Manufacture date—yym (offset from 2000)	Manufacture date (for example: Apr 2001 = 0x014)
CRC7 checksum*** (CRC)	Binary	7	[7:1]	Calculated	CRC7

Name	Type	Width	CID—Slice	Comments	CID Value
Not used, always '1'		1	[0:0]		

\* 3C = The 3 SDA founding companies: Toshiba, SanDisk, and MEI.

\*\* The product revision is composed of two Binary Coded Decimal (BCD) digits, four bits each, representing an “n.m” revision number. The “n” is the most significant nibble and the “m” is the least significant nibble. Example: The PRV binary value filed for product revision “6.2” will be: 0110 0010.

\*\*\* The CRC Checksum is computed by the following formula:

CRC Calculation:  $G(x)=x^7+3+1$

$M(x)=(MID-MSB)*x^{119}+...+(CIN-LSB)*x^0$

$CRC[6...0]=\text{Remainder}[(M(x)*x^7)/G(x)]$

### 3.5.3. CSD Register

The Card Specific Data (CSD) register contains configuration information required to access the card data. In Table 3-9, the cell type column defines the CSD field as Read only (R), One Time Programmable (R/W) or erasable (R/W/E). This table shows the value in “real world” units for each field and coded according to the CSD structure. The Model dependent column marks (with a check mark,  $\checkmark$ ) the CSD fields that are model dependent. Note that the CSD register in the miniSD Card has a different structure than the CSD in the MultiMediaCard.

**Table 3-9. CSD Register**

Name	Field	Width	Cell Type	CSD-Slice	CSD Value	CSD Code
CSD Structure	CSD_STRUCTURE	2	R	[127:126]	1.0	00b
Reserved	-	6	R	[125:120]	-	000000b
Data Read access-time-1	TAAC	8	R	[119:112]	1.5msec	00100110b
Data Read access-time-2 in CLK cycles (NSAC*100)	NSAC	8	R	[111:104]	0	00000000b
Max. Data transfer rate	TRAN_SPEED	8	R	[103:96]	25 Mb/sec	00110010b
Card command classes	CCC	12	R	[95:84]	All (incl. WP, Lock/unlock)	1F5h
Max. Read data block length	READ_BL_LEN	4	R	[83:80]	512byte	1001b
Partial blocks for read allowed	READ_BL_PARTIAL	1	R	[79:79]	Yes	1b
Write block misalignment	WRITE_BLK_MISALIGN	1	R	[78:78]	No	0b
Read block misalignment	READ_BLK_MISALIGN	1	R	[77:77]	No	0b
DSR implemented	DSR_IMP	1	R	[76:76]	No	0b
Reserved	-	2	R	[75:74]	-	00b
Device size	C_SIZE	12	R	[73:62]	SD256=3859 SD128=3843 SD064=3807 SD032=1867 SD016=899	F13h F03h EDFh 74Bh 383h
Max. Read current @VDD min	VDD_R_CURR_MIN	3	R	[61:59]	SD256=35 mA SD128=35 mA SD064=35 mA SD032=25 mA SD016=25 mA	SD256=101b SD128=101b SD064=101b SD032=100b SD016=100b
Max. Read current @VDD max	VDD_R_CURR_MAX	3	R	[58:56]	SD256=45 mA SD128=45 mA	SD256=101b SD128=101b

Name	Field	Width	Cell Type	CSD-Slice	CSD Value	CSD Code
					SD064=45 mA SD032=35 mA SD016=35 mA	SD064=101b SD032=100b SD016=100b
Max. Write current @VDD min	VDD_W_CURR_MIN	3	R	[55:53]	SD256=35 mA SD128=35 mA SD064=35 mA SD032=25 mA SD016=25 mA	SD256=101b SD128=101b SD064=101b SD032=100b SD016=100b
Max. Write current @VDD max	VDD_W_CURR_MAX	3	R	[52:50]	SD256=45 mA SD128=45 mA SD064=45 mA SD032=35 mA SD016=35 mA	SD256=101b SD128=101b SD064=101b SD032=100b SD016=100b
Device size multiplier	C_SIZE_MULT	3	R	[49:47]	SD256=5 SD128=4 SD064=3 SD032=3 SD016=3	101b 100b 011b 011b 011b
Erase single block enable	ERASE_BLK_EN	1	R	[46:46]	Yes	1b
Erase sector size	SECTOR_SIZE	7	R	[45:39]	32blocks	0011111b
Write protect group size	WP_GRP_SIZE	7	R	[38:32]	128sectors	1111111b
Write protect group enable	WP_GRP_ENABLE	1	R	[31:31]	Yes	1b
Reserved for MultiMediaCard compatibility		2	R	[30:29]	-	00b
Write speed factor	R2W_FACTOR	3	R	[28:26]	X16	100b
Max. Write data block length	WRITE_BL_LEN	4	R	[25:22]	512Byte	1001b
Partial blocks for write allowed	WRITE_BL_PARTIAL	1	R	[21:21]	No	0
Reserved	-	5	R	[20:16]	-	00000b
File format group	FILE_FORMAT_GRP	1	R/W(1)	[15:15]	0	0b
Copy flag (OTP)	COPY	1	R/W(1)	[14:14]	Not Original	1b
Permanent write protection	PERM_WRITE_PROTECT	1	R/W(1)	[13:13]	Not Protected	0b
Temporary write protection	TMP_WRITE_PROTECT	1	R/W	[12:12]	Not Protected	0b
File format	FILE_FORMAT	2	R/W(1)	[11:10]	HD w/partition	00b
Reserved		2	R/W	[9:8]	-	00b
CRC	CRC	7	R/W	[7:1]	-	CRC7
Not used, always "1"	-	1	-	[0:0]	-	1b

**NOTE:** The device size indicates the user area size. It does not include the protected area that is used for security applications and is about 1 percent of the total card size.

The following sections describe the CSD fields and the relevant data types. If not explicitly defined otherwise, all bit strings are interpreted as binary coded numbers starting with the left bit first.

**CSD\_STRUCTURE**—describes the version of the CSD structure.

---

**Table 3-10. CSD Register Structure**

<b>CSD_STRUCTURE</b>	<b>CSD Structure Version</b>	<b>Valid for miniSD Card Physical Specification Version</b>
0	CSD version No. 1.0	Version 1.0-1.01
1-3	Reserved	

**TAAC**—Defines the asynchronous part (relative to the miniSD Card clock (CLK)) of the read access time.

**Table 3-11. TAAC Access Time Definition**

TAAC Bit Position	Code
2:0	time unit 0=1ns, 1=10ns, 2=100ns, 3=1μs, 4=10μs, 5=100μs, 6=1ms, 7=10ms
6:3	time value 0=reserved, 1=1.0, 2=1.2, 3=1.3, 4=1.5, 5=2.0, 6=2.5, 7=3.0, 8=3.5, 9=4.0, A=4.5, B=5.0, C=5.5, D=6.0, E=7.0, F=8.0
7	Reserved

**NSAC**—Defines the worst case for the clock dependent factor of the data access time. The unit for NSAC is 100 clock cycles. Therefore, the maximal value for the clock dependent part of the read access time is 25.5k clock cycles.

The total read access time  $N_{AC}$  as expressed in the Table 5-17 is the sum of TAAC and NSAC. It has to be computed by the host for the actual clock rate. The read access time should be interpreted as a typical delay for the first data bit of a data block from the end bit on the read commands.

**TRAN\_SPEED**—Table 3-12 defines the maximum data transfer rate TRAN\_SPEED.

**Table 3-12. Maximum Data Transfer Rate Definition**

TRAN_SPEED Bit	Code
2:0	transfer rate unit 0=100kbit/s, 1=1Mbit/s, 2=10Mbit/s, 3=100Mbit/s, 4... 7=reserved
6:3	time value 0=reserved, 1=1.0, 2=1.2, 3=1.3, 4=1.5, 5=2.0, 6=2.5, 7=3.0, 8=3.5, 9=4.0, A=4.5, B=5.0, C=5.5, D=6.0, E=7.0, F=8.0
7	Reserved

**CCC**—The miniSD Card command set is divided into subsets (command classes). The card command class register CCC defines which command classes are supported by this card. A value of ‘1’ in a CCC bit means that the corresponding command class is supported. Table 3-13 lists the supported card command classes; refer to Table 4-3 for command class definitions.

**Table 3-13. Supported Card Command Classes**

CCC Bit	Supported Card Command Class
0	class 0
1	class 1
.....	
11	class 11

**READ\_BL\_LEN**—The maximum read data block length is computed as  $2^{\text{READ\_BL\_LEN}}$ . The maximum block length might therefore be in the range 512...2048 bytes. Note that in the miniSD Card, the WRITE\_BL\_LEN is always equal to READ\_BL\_LEN.

**Table 3-14. Data Block Length**

READ_BL_LEN	Block Length
0-8	Reserved
9	$2^9 = 512$ Bytes
.....	
11	$2^{11} = 2048$ Bytes
12-15	Reserved

**READ\_BL\_PARTIAL**— READ\_BL\_PARTIAL is always set to 1 in the miniSD Card. Partial Block Read is always allowed in the miniSD Card. It means that smaller blocks can be used as well. The minimum block size is one byte.

READ\_BL\_PARTIAL=0 means that only the READ\_BL\_LEN block size can be used for block oriented data transfers.

READ\_BL\_PARTIAL=1 means that smaller blocks can be used as well. The minimum block size will be equal to minimum addressable unit (one byte)

**WRITE\_BLK\_MISALIGN**—Defines if the data block to be written by one command can be spread over more than one physical block of the memory device. The size of the memory block is defined in WRITE\_BL\_LEN.

WRITE\_BLK\_MISALIGN=0 signals that crossing physical block boundaries is invalid.

WRITE\_BLK\_MISALIGN=1 signals that crossing physical block boundaries is allowed.

**READ\_BLK\_MISALIGN**—Defines if the data block to be read by one command can be spread over more than one physical block of the memory device. The size of the memory block is defined in READ\_BL\_LEN.

READ\_BLK\_MISALIGN=0 signals that crossing physical block boundaries is invalid.

READ\_BLK\_MISALIGN=1 signals that crossing physical block boundaries is allowed.

**DSR\_IMP**—Defines if the configurable driver stage is integrated on the card. If set, a driver stage register (DSR) must be implemented also.

**Table 3-15. DSR Implementation Code Table**

DSR_IMP	DSR Type
0	no DSR implemented
1	DSR implemented

**C\_SIZE (Device Size)**—This parameter is used to compute the card capacity (does not include security protected area). The memory capacity of the card is computed from the entries C\_SIZE, C\_SIZE\_MULT and READ\_BL\_LEN as follows:

$$\text{memory capacity} = \text{BLOCKNR} * \text{BLOCK\_LEN}$$

Where:

$$\text{BLOCKNR} = (\text{C\_SIZE} + 1) * \text{MULT}$$

$$\text{MULT} = 2^{\text{C\_SIZE\_MULT} + 2} \quad (\text{C\_SIZE\_MULT} < 8)$$

$$\text{BLOCK\_LEN} = 2^{\text{READ\_BL\_LEN}} \quad (\text{READ\_BL\_LEN} < 12)$$

Therefore, the maximum capacity that can be coded is  $4096 * 512 * 2048 = 4 \text{ GB}$ . Example: A 4-MB card with BLOCK\_LEN = 512 can be coded with C\_SIZE\_MULT = 0 and C\_SIZE = 2047.

**VDD\_R\_CURR\_MIN, VDD\_W\_CURR\_MIN**—The maximum values for read and write currents at the minimal VDD power supply are coded in Table 3-16.

**Table 3-16. V<sub>DD</sub> Minimum Current Consumption**

VDD_R_CURR_MIN VDD_W_CURR_MIN	Code For Current Consumption @ V <sub>DD</sub>
2:0	0=0.5mA; 1=1mA; 2=5mA; 3=10mA; 4=25mA; 5=35mA; 6=60mA; 7=100mA

**VDD\_R\_CURR\_MAX, VDD\_W\_CURR\_MAX**—The maximum values for read and write currents at the maximum VDD power supply are coded Table 3-17.

**Table 3-17. V<sub>DD</sub> Maximum Current Consumption**

VDD_R_CURR_MAX VDD_W_CURR_MAX	Code For Current Consumption @ V <sub>DD</sub>
2:0	0=1mA; 1=5mA; 2=10mA; 3=25mA; 4=35mA; 5=45mA; 6=80mA; 7=200mA

**C\_SIZE\_MULT (Device Size Multiplier)**—This parameter is used for coding a factor MULT for computing the total device size (see ‘C\_SIZE’). The factor MULT is defined as  $2^{\text{C\_SIZE\_MULT} + 2}$ .

**Table 3-18. Multiply Factor For The Device Size**

C_SIZE_MULT	MULT
0	2 <sup>2</sup> = 4
1	2 <sup>3</sup> = 8
2	2 <sup>4</sup> = 16
3	2 <sup>5</sup> = 32
4	2 <sup>6</sup> = 64
5	2 <sup>7</sup> = 128
6	2 <sup>8</sup> = 256
7	2 <sup>9</sup> = 512

**ERASE\_BLK\_EN**—defines whether erase of one write block (see WRITE\_BL\_LEN) is allowed (other than SECTOR\_SIZE given below). If ERASE\_BLK\_EN is 0, the host can erase a unit of SECTOR\_SIZE. If ERASE\_BLK\_EN is 1, the host can erase either a unit of SECTOR\_SIZE or a unit of WRITE\_BLK\_LEN.

**SECTOR\_SIZE**—The size of an erasable sector. The content of this register is a 7-bit binary coded value, defining the number of write blocks (see WRITE\_BL\_LEN). The actual size is computed by increasing this number by one. A value of zero means 1 write block, 127 means 128 blocks.

**WP\_GRP\_SIZE**—The size of a write protected group. The content of this register is a 7-bit binary coded value, defining the number of Erase Groups (see SECTOR\_SIZE). The actual size is computed by increasing this number by one. A value of zero means 1 erase group, 127 means 128 erase groups.

**WP\_GRP\_ENABLE**—A value of ‘0’ means no group write protection possible.

**R2W\_FACTOR**—Defines the typical block program time as a multiple of the read access time. Table 3-19 defines the field format.

**Table 3-19. R2W\_FACTOR**

R2W_FACTOR	Multiples of Read Access Time
0	1
1	2 (write half as fast as read)
2	4
3	8
4	16
5	32
6, 7	Reserved

**WRITE\_BL\_LEN**—The maximum write data block length is computed as  $2^{\text{WRITE\_BL\_LEN}}$ . The maximum block length might therefore be in the range from 512 up to 2048 bytes. A Write Block Length of 512 bytes is always supported. Note that in the miniSD Card, the WRITE\_BL\_LEN is always equal to READ\_BL\_LEN.

**Table 3-20. Data Block Length**

WRITE_BL_LEN	Block Length
0-8	Reserved
9	29 = 512 Bytes
....	
11	211 = 2048 Bytes
12-15	Reserved

**WRITE\_BL\_PARTIAL**—Defines whether partial block sizes can be used in block write commands.

WRITE\_BL\_PARTIAL=‘0’ means that only the WRITE\_BL\_LEN block size, and its partial derivatives in resolution of units of 512 blocks, can be used for block oriented data write.

WRITE\_BL\_PARTIAL=‘1’ means that smaller blocks can be used as well. The minimum block size is one byte.

**FILE\_FORMAT\_GROUP**—Indicates the selected group of file formats. This field is read-only for ROM. The usage of this field is shown in Table 3-21.

**COPY**—This bit marks the card as an original ('0') or non-original ('1'). Once set to non-original, this bit cannot be reset to original. The definition of “original” and “non-original” is application dependent and changes no card characteristics.

**PERM\_WRITE\_PROTECT**—Permanently protects the whole card content, except the secured protected area, against overwriting or erasing (all write and erase commands for this card are permanently disabled). The default value is '0', i.e., not permanently write protected.

**TMP\_WRITE\_PROTECT**—Temporarily protects the whole card content, except the secured protected area, from being overwritten or erased (all write and erase commands for this card are temporarily disabled). This bit can be set and reset. The default value is '0', i.e., not write protected.

**FILE\_FORMAT**—Indicates the file format on the card. This field is read-only for ROM. The following formats are defined.

**Table 3-21. File Format**

FILE_FORMAT_GRP	FILE_FORMAT	Type
0	0	Hard disk-like file system with partition table
0	1	DOS FAT (floppy-like) with boot sector only (no partition table)
0	2	Universal File Format
0	3	Others/Unknown
1	0, 1, 2, 3	Reserved

**CRC**—The CRC field carries the check sum for the CSD contents. The checksum has to be recalculated by the host for any CSD modification. The default corresponds to the initial CSD contents.

### 3.5.4. SCR Register

In addition to the CSD register, there is the MINI SD Configuration Register (SCR). This register provides information on miniSD Card's special features that were configured into the given card. The size of SCR register is 64 bit. This register shall be set in the factory by the miniSD Card manufacturer. Table 3-22 describes the SCR register content.

**Table 3-22. SCR Fields**

Description	Field	Width	Cell Type	SCR Slice	SCR Value	SCR Code
SCR Structure	SCR_STRUCTURE	4	R	[63:60]	V1.0	0
miniSD Card—Spec. Version	SD_SPEC	4	R	[59:56]	V1.01	0
data_status_after erases	DATA_STAT_AFTER_ERASE	1	R	[55:55]	0	0
SD Security Support	SD_SECURITY	3	R	[54:52]	Prot 2, Spec V1.01	2
DAT Bus widths supported	SD_BUS_WIDTHS	4	R	[51:48]	1 & 4	5
Reserved	-	16	R	[47:32]	0	0
Reserved for manufacturer usage	-	32	R	[31:0]	0	0

**SCR\_STRUCTURE**—Version number of the related SCR structure in the miniSD Card Physical Layer Specification.

**Table 3-23. SCR Register Structure Version**

CSD_STRUCTURE	CSD Structure Version	Valid for SD Physical Layer Specification Version
0	SCR version No. 1.0	Version 1.0-1.01
1-15	Reserved	

**SD\_SPEC**—Describes the miniSD Card Physical Layer Specification version supported by this card.

**Table 3-24. mini SD Physical Layer Specification Version**

SPEC_VERS	Physical Layer Specification Version Number
0	Version 1.0-1.01
1-15	Reserved

**DATA\_STAT\_AFTER\_ERASE**—Defines the data status after erase, whether it is ‘0’ or ‘1’ (the status is card vendor dependent).

**SD\_SECURITY**—Describes the security algorithm supported by the card.

**Table 3-25. SD Supported Security Algorithm**

SD_SECURITY	Supported Algorithm
0	No security
1	Security protocol 1.0 Security Spec Ver 0.96
2	Security protocol 2.0 Security Spec Ver 1.0-1.01
3..7	Reserved

NOTE: It is mandatory for a writable miniSD Card (OTP or R/W) to support Security Protocol.

**SD\_BUS\_WIDTHS**—Describes all the DAT bus widths that are supported by this card.

**Table 3-26. mini SD Supported Bus Widths**

SD_BUS_WIDTHS	Supported Bus Widths
Bit 0	1 bit (DAT0)
Bit 1	Reserved
Bit 2	4 bit (DAT0-3)
Bit 3 [MSB]	Reserved

Since miniSD Card shall support at least two bus-modes: 1bit or 4bit width, then any miniSD Card shall set at least bits 0 and 2 (SD\_BUS\_WIDTH=0101).

---

---

### 3.5.5. Status Register

The miniSD Card supports the following two card status fields:

- **Card Status**—This status field is compatible to the MultiMediaCard protocol.
- **SD\_Status**—This extended status field of 512 bits supports special features unique to the miniSD Card and future application specific features.

The miniSD Card status registers' structures are defined in Table 3-27. The Type and Clear-Condition fields in the table are coded as follows:

Type:

- E—Error bit.
- S—Status bit.
- R—Detected and set for the actual command response.
- X—Detected and set during command execution. The host must poll the card by sending status command in order to read these bits.

Clear Condition:

- A—According to the card current state.
- B—Always related to the previous command. Reception of a valid command will clear it (with a delay of one command).
- C—Clear by read.

**Table 3-27. Card Status**

Bits	Identifier	Type	Value	Description	Clear Cond.
31	OUT_OF_RANGE	E R X	'0'= no error '1'= error	The command's argument was out of the allowed range for this card.	C
30	ADDRESS_ERROR	E R	'0'= no error '1'= error	A misaligned address that did not match the block length was used in the command.	C
29	BLOCK_LEN_ERROR	E R	'0'= no error '1'= error	The transferred block length is not allowed for this card, or the number of transferred bytes does not match the block length.	C
28	ERASE_SEQ_ERROR	E R	'0'= no error '1'= error	An error in the sequence of erase commands occurred.	C
27	ERASE_PARAM	E R X	'0'= no error '1'= error	An invalid selection of write-blocks for erase occurred.	C
26	WP_VIOLATION	E R X	'0'= not protected '1'= protected	Attempt to program a write-protected block.	C
25	CARD_IS_LOCKED	S X	'0' = card unlocked '1' = card locked	When set, signals that the card is locked by the host	A
24	LOCK_UNLOCK_FAILED	E R X	'0' = no error '1' = error	Set when a sequence or password error has been detected in lock/ unlock card command or if there was an attempt to access a locked card	C
23	COM_CRC_ERROR	E R	'0'= no error '1'= error	The CRC check of the previous command failed.	B
22	ILLEGAL_COMMAND	E R	'0'= no error '1'= error	Command not legal for the card state	B
21	CARD_ECC_FAILED	E R X	'0'= success '1'= failure	Card internal ECC was applied but failed to	C

Bits	Identifier	Type	Value	Description	Clear Cond.
				correct the data.	
20	CC_ERROR	E R X	'0'= no error '1'= error	Internal card controller error	C
19	ERROR	E R X	'0'= no error '1'= error	A general or an unknown error occurred during the operation.	C
18	Reserved				
17	Reserved				
16	CID/ CSD_OVERWRITE	E R X	'0'= no error '1'= error	Can be either one of the following errors: - The CID register has been already written and can not be overwritten - The read only section of the CSD does not match the card content. - An attempt to reverse the copy (set as original) or permanent WP (unprotected) bits was made.	C
15	WP_ERASE_SKIP	S X	'0'= not protected '1'= protected	Only partial address space was erased due to existing write protected blocks.	C
14	CARD_ECC_DISABLE D	S X	'0'= enabled '1'= disabled	The command has been executed without using the internal ECC.	A
13	ERASE_RESET	S R	'0'= cleared '1'= set	An erase sequence was cleared before executing because an out of erase sequence command was received.	C
12:9	CURRENT_STATE	S X	0 = idle 1 = ready 2 = ident 3 = stby 4 = tran 5 = data 6 = rcv 7 = prg 8 = dis 9-15 = reserved	The state of the card when receiving the command. If the command execution causes a state change, it will be visible to the host in the response to the next command.  The four bits are interpreted as a binary coded number between 0 and 15.	B
8	READY_FOR_DATA	S X	'0'= not ready '1'= ready	Corresponds to buffer empty signalling on the bus.	A
7:6	Reserved				
5	APP_CMD	S R	'0' = Disabled '1' = Enabled	The card will expect ACMD, or indication that the command has been interpreted as ACMD.	C
4	Reserved				
3	AKE_SEQ_ERROR ( SD Card Security spec.)	E R	'0' = no error '1' = error	Error in the sequence of authentication process.	C
2	Reserved for application specific commands				
1, 0	Reserved for manufacturer test mode				

### 3.5.6. SD Status

The SD Status contains status bits that are related to the miniSD Card proprietary features and may be used for future application specific usage. The size of the SD Status is one data block of 512 bits. The content of this register is transmitted to the Host over the DAT bus along with 16 bits CRC. The SD Status is sent to the host over the DAT bus if ACMD13 is sent (CMD55 followed with CMD13). ACMD13 can be sent to a card only in “tran\_state” (card selected). The SD Status structure is listed in Table 3-28. The same abbreviations for ‘type’ and ‘clear condition’ were used as for the Card Status above.

**Table 3-28. miniSD Card Status**

Bits	Identifier	Type	Value	Description	Clear Cond.
511: 510	DAT_BUS_WIDTH	S R	'00'=1 (default) '01'=reserved '10'=4 bit width '11'=reserved	Shows the currently defined data bus width that was defined by the SET_BUS_WIDTH command.	A
509	SECURED_MODE	S R	'0'=not in the mode '1'=in secured mode	Card is in Secured Mode of operation (refer to the SD Security Specifications document).	A
508: 496	Reserved				
495: 480	SD_CARD_TYPE	S R	'00xxh'=SD Memory Cards as defined in Physical Spec. Ver. 1.01 ('x'=don't care). The following cards are currently defined: '0000'=Regular SD RD/WR Card. '0001'=SD ROM Card	In the future, the 8 LSBs will be used to define different variations of a miniSD Card (each bit will define different SD types). The 8 MSBs will be used to define miniSD Cards that do not comply with the SD Memory Card as defined in the Specification Ver. 1.01	A
479: 448	SIZE_OF_PROTECTED_AREA	S R	Size of protected area (in units of MULT*BLOCK_LEN refer to CSD register.	Shows the size of the protected area. The actual area = (SIZE_OF_PROTECTED_A REA) * MULT * BLOCK_LEN.	A
447: 312	Reserved				
311: 0	Reserved for Manufacturer				

### 3.5.7. RCA Register

The 16-bit relative card address register carries the card address that is published by the card during the card identification. This address is used for the addressed host-card communication after the card identification procedure.

---

---

### 3.5.8. SD Card Registers in SPI Mode

In SPI mode, all the card's registers are accessible. Their format is identical to the format in the miniSD mode. However, a few fields are irrelevant in SPI mode. In SPI mode, the card status register has a different, shorter, format as well. Refer to the SPI Protocol section for more details.

---

---

## 3.6. Data Interchange Format and Card Sizes

In general, the miniSD Card data is structured by means of a file system. The miniSD Card File System Specification, published by the SD Association, describes the file format system that is implemented in the SanDisk miniSD Card. In general, each miniSD Card is divided into two separate DOS-formatted partitions as follows:

- **The User Area**—used for secured and non-secured data storage and can be accessed by the user with regular read/write commands.
- **Security Protected Area**—used by copyright protection applications to save security related data and can be accessed by the host using the secured read/write command after doing authentication as defined in the SD Security Specification. The security protected area size is defined by SanDisk as approximately one percent of the total size of the card. Tables 3-29 and 3-30 describe the user and protected areas for all SanDisk miniSD Cards.

**Table 3-29. Parameters for User Area DOS Image**

Capacity	Total LBAs	No. of Partition Sys. Area Sectors	Total Partition Sectors	User Data Sectors	User Data Bytes
16 MB	28,800	39	28,743	28,704	14,696,448
32 MB	59,776	45	59,725	59,680	30,556,160
64 MB	121,856	57	121,817	121,760	62,341,120
128 MB	246,016	95	245,919	245,824	125,861,888
256 MB	494,080	155	493,979	493,824	252,837,888

**Table 3-30. Parameters for Protected Area DOS**

Capacity	Total LBAs	No. of Partition Sys. Area Sectors	Total Partition Sectors	User Data Sectors	User Data Bytes
16 MB	352	35	351	316	161,792
32 MB	736	37	733	696	356,352
64 MB	1,376	37	1,373	1,336	684,032
128 MB	2,624	35	2,611	2,576	1,318,912
256 MB	5376	37	5365	5328	2,727,936

---

*This page intentionally left blank.*

## 4. miniSD Card Protocol Description

### 4.1. SD Bus Protocol

Communication over the SD bus is based on command and data bit streams, which are initiated by a start bit and terminated, by a stop bit:

- **Command**—A command is a token that starts an operation. A command is sent from the host either to a single card (addressed command) or to all connected cards (broadcast command). A command is transferred serially on the CMD line.
- **Response**—A response is a token that is sent from an addressed card, or (synchronously) from all connected cards, to the host as an answer to a previously received command. A response is transferred serially on the CMD line.
- **Data**—Data can be transferred from the card to the host or vice versa. Data is transferred via the data lines.

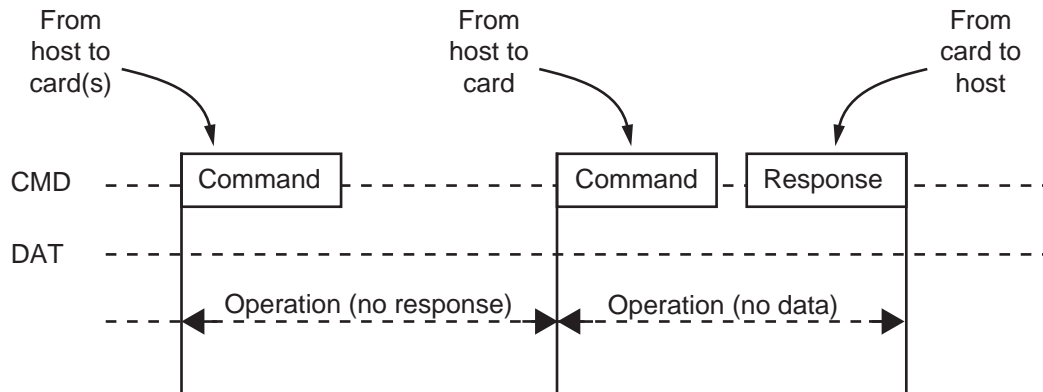
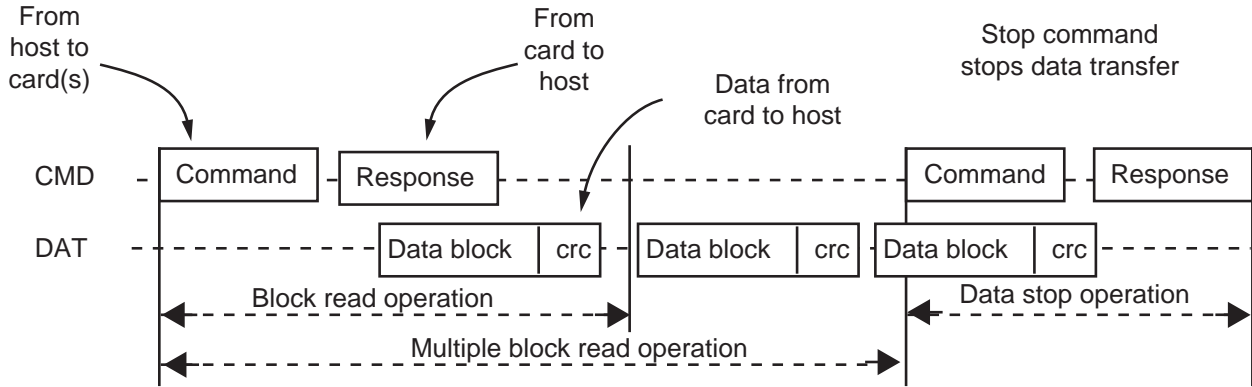


Figure 4-1. “No Response” and “No Data” Operations

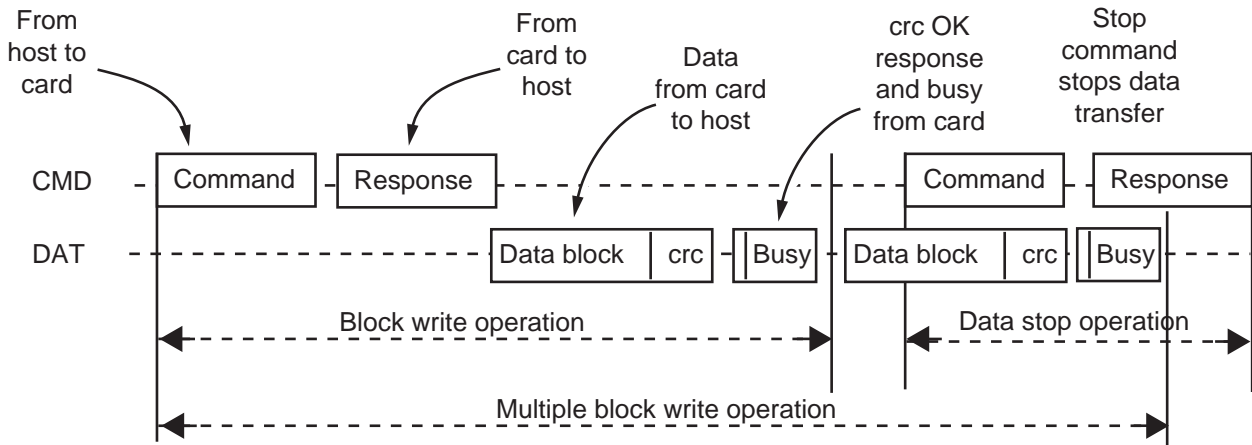
Card addressing is implemented using a session address that is assigned to the card during the initialization phase. The basic transaction on the SD bus is the command/response transaction (see Figure 4-1). This type of bus transaction transfers their information directly within the command or response structure. In addition, some operations have a data token.

Data transfers to and from the miniSD Card move in blocks, and CRC bits always follow data blocks. Single and multiple block operations are defined. Note that the Multiple Block operation mode is better for faster write operation. A multiple block transmission is terminated when a stop command follows on the CMD line. The host can configure data transfers use single or multiple data lines (if the card supports this feature).



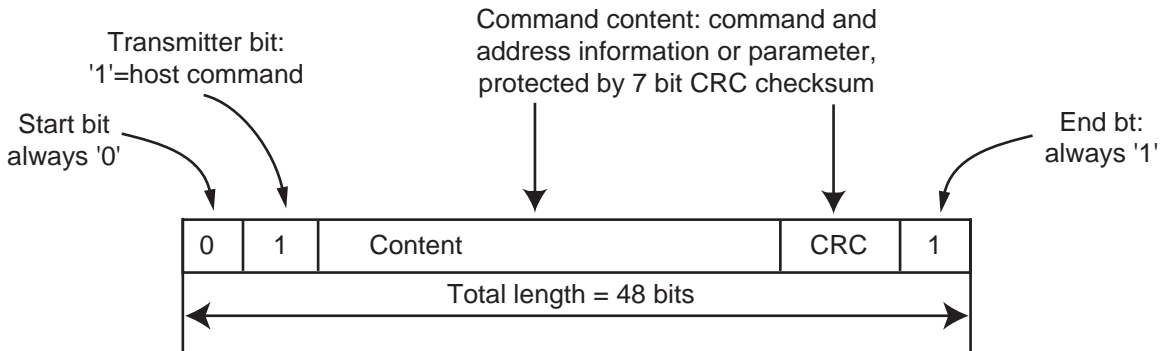
**Figure 4-2. Multiple Block Read Operation**

The block-write operation uses a simple busy signaling of the write operation duration on the DAT0 data line (see Figure 4-3) regardless of the number of data lines used for transferring the data.



**Figure 4-3. Multiple Block Write Operation**

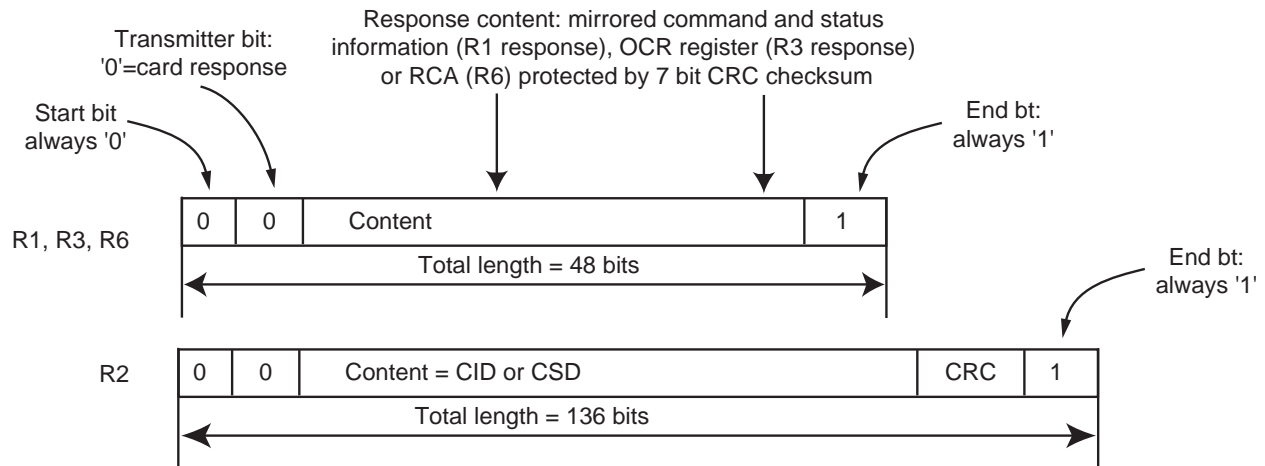
Command tokens have the coding scheme shown in Figure 4-4.



**Figure 4-4. Command Token Format**

Each command token is preceded by a start bit (0) and succeeded by an end bit (1). The total length is 48 bits. CRC bits protect each token so that transmission errors can be detected and the operation may be repeated.

Response tokens have four coding schemes depending on their content. The token length is either 48 or 136 bits. The CRC protection algorithm for block data is a 16-bit CCITT polynomial. All used CRC types are described in Section 4.6.



**Figure 4-5. Response Token Format**

In the CMD line, the MSB bit is transmitted first, whereas the LSB bit is transmitted last.

When the wide bus option is used, the data is transferred 4 bits at a time (see Figure 4-6). Start and end bits, as well as the CRC bits, are transmitted for every one of the DAT lines. CRC bits are calculated and checked for every DAT line individually. The card sends the CRC status response and Busy indication to the host on DAT0 only (DAT1-DAT3 during that period are “don’t care”).



---

SanDisk miniSD cards have two operation modes.

- **Card Identification Mode**—The host will be in card identification mode after reset and while it is looking for new cards on the bus. miniSD Cards will be in this mode after reset until the SEND\_RCA command (CMD3) is received.
- **Data Transfer Mode**— miniSD Cards will enter data transfer mode once their RCA is first published. The host will enter data transfer mode after identifying all of the miniSD Cards on the bus.

Table 4-1 lists the dependencies between operation modes and card states. Each state in the miniSD Card state diagram (Figures 4-7 and 4-8) is associated with one operation mode.

**Table 4-1. Overview of Card States vs. Operation Modes**

Card State	Operation Mode
Inactive State	Inactive
Idle State	Card Identification Mode
Ready State	
Identification State	
Stand-by State	Data Transfer Mode
Transfer State	
Sending-data State	
Receive-data State	
Programming State	
Disconnect State	

---

### **4.3. Card Identification Mode**

While in Card Identification Mode, the host resets all the cards that are in Card Identification Mode, validates operation voltage range, identifies cards and asks them to publish a Relative Card Address (RCA). This operation is done to each card separately on its own command (CMD) line. All data communication in the Card Identification Mode uses the CMD line only.



---

---

### 4.3.2. Operating Voltage Range Validation

The SD Physical Specification standard requires that all miniSD cards will be able to establish communication with the host using any operating voltage between  $V_{DD-min}$  and  $V_{DD-max}$ . However, during data transfer, minimum and maximum values for  $V_{DD}$  are defined in the operation condition register (OCR) and may not cover the whole range. miniSD Card hosts are expected to read the card's OCR register and select proper  $V_{DD}$  values or reject the card.

SanDisk miniSD Cards that store the CID and CSD data in the payload memory can communicate this information only under data-transfer  $V_{DD}$  conditions. This means if host and card have non-compatible  $V_{DD}$  ranges, the card will not be able to complete the identification cycle, nor to send CSD data.

SD\_SEND\_OP\_COND (ACMD41) is designed to provide miniSD Card hosts with a mechanism to identify and reject cards that do not match the host's desired  $V_{DD}$  range. To accomplish this task, the host sends the required  $V_{DD}$  voltage window as the operand of this command. SanDisk miniSD Cards that cannot perform data transfer in the specified range must discard themselves from further bus operations and go into Inactive State. Note that ACMD41 is an application-specific command. Therefore, APP\_CMD (CMD55) will always precede ACMD41. The RCA to be used for CMD55 in *idle\_state* will be the card's default RCA = 0x0000.

The MultiMediaCard will not respond to ACMD41 (actually it will not respond to APP\_CMD—CMD55, that precedes it). The MultiMediaCard will be initialized as per the MultiMediaCard specification, using SEND\_OP\_COND command (CMD1 of MultiMediaCard). The host should ignore an ILLEGAL\_COMMAND status in the MultiMediaCard response to CMD3, since it is a residue of ACMD41 which is invalid in the MultiMediaCard (CMD0, 1, 2 do not clear the status register). The host uses ACMD41 and CMD1 to distinguish between MultiMediaCard and miniSD Cards in a system.

By omitting the voltage range in the command, the host can query each card and determine if there are any incompatibilities before sending out-of-range cards into the Inactive State. This query should be used if the host can select a common voltage range or wants to notify the application of non-usable cards in the stack.

The card can use the busy bit in the ACMD41 response to tell the host that it is still working on its power-up/reset procedure (e.g., downloading the register information from memory field) and is not ready yet for communication. In this case the host must repeat ACMD41 until the busy bit is cleared.

During the initialization procedure, the host is not allowed to change the OCR values. Changes in the OCR content will be ignored by the miniSD Card. If there is a real change in the operating conditions, the host must reset the card stack (using CMD0) and begin the initialization procedure once more. However, for accessing the cards already in Inactive State, a hard reset must be done by switching the power supply off and on.

GO\_INACTIVE\_STATE (CMD15) can also be used to send an addressed miniSD Card into the Inactive State. This command is used when the host explicitly wants to deactivate a card (e.g., host is changing  $V_{DD}$  into a range which is known to be not supported by this card).

---

### 4.3.3. Card Identification Process

The host starts the card identification process with the identification clock rate  $f_{OD}$  (see Section 3.4.4). In miniSD Card the CMD line output drives are push-pull drivers.

After the bus is activated, the host will request the cards to send their valid operation conditions (ACMD41 preceding with APP\_CMD—CMD55 with RCA=0x0000). The response to ACMD41 is the operation condition register of the card. The same command shall be send to all of the new cards in the system. Incompatible cards are sent into *Inactive State*. The host then issues the command ALL\_SEND\_CID (CMD2) to each card to get its unique card identification (CID) number. Card that is unidentified (i.e., which is in *Ready State*) sends its CID number as the response (on the CMD line). After the CID is sent by the card, it goes into *Identification State*. Thereafter, the host issues CMD3 (SEND\_RELATIVE\_ADDR) asking the card to publish a new relative card address (RCA), which is shorter than CID and which will be used to address the card in the future data transfer mode (typically with a higher clock rate than  $f_{OD}$ ). Once the RCA is received, the card state changes to the *Stand-by State*. At this point, if the host wants the card to have another RCA number, it may ask the card to publish a new number by sending another SEND\_RELATIVE\_ADDR command to the card. The last published RCA is the actual RCA number of the card.

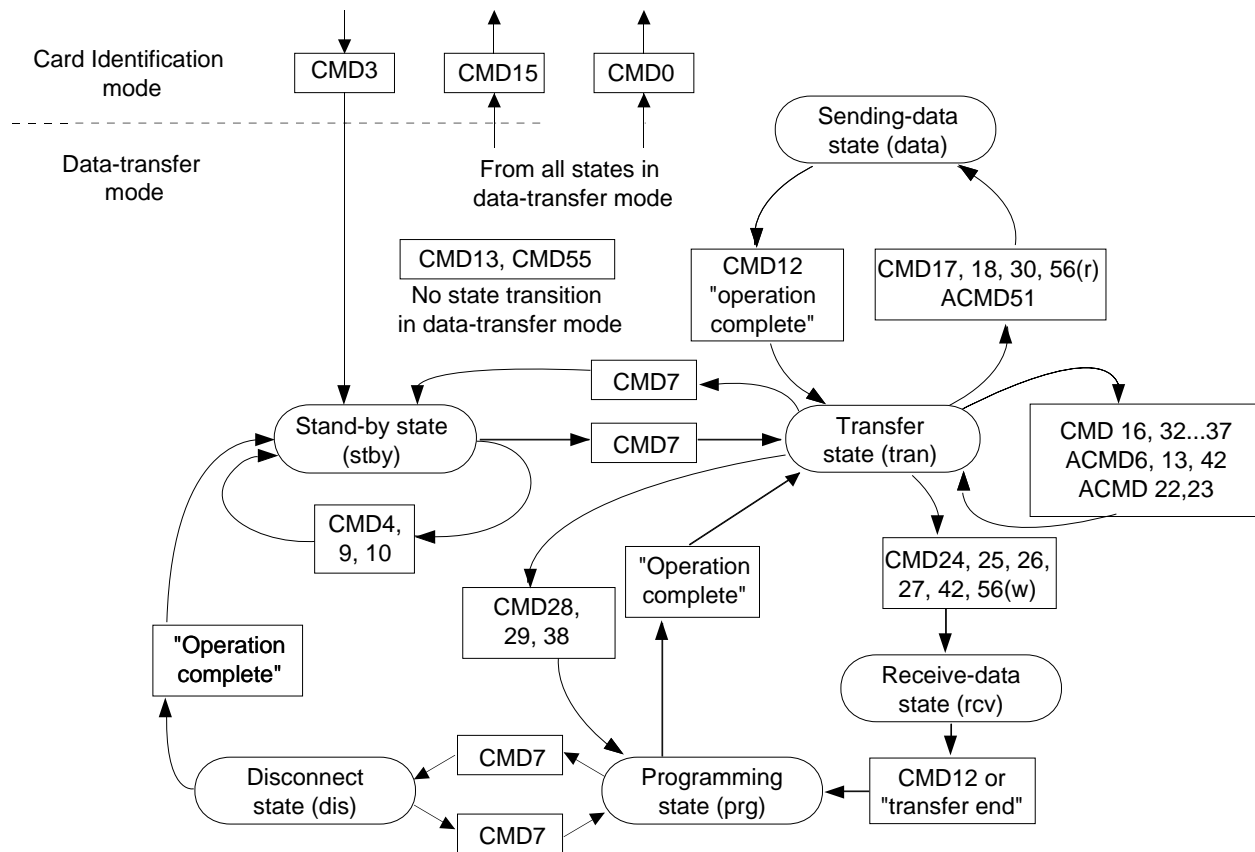
The host repeats the identification process (i.e., the cycles with CMD2 and CMD3 for each card in the system).

After all the miniSD Cards are initialized, the host will initialize the MultiMediaCards that are in the system (if any), using the CMD2 and CMD3 as given in the MultiMediaCard specification. Note that in the SD system, all the cards are connected separately so each MultiMediaCard will be initialized individually.

---

## 4.4. Data Transfer Mode

Until the content of all CSD registers is known by the host, the  $f_{pp}$  clock rate must remain at  $f_{OD}$  because some cards may have operating frequency restrictions. The host issues SEND\_CSD (CMD9) to obtain the Card Specific Data (CSD register), e.g., block length, card storage capacity, maximum clock rate. Figure 4-8 shows a block diagram of the Data Transfer Mode.



**Figure 4-8. SanDisk miniSD Card State Diagram (Data Transfer Mode)**

CMD7 is used to select one miniSD Card and place it in the Transfer State. Only one miniSD Card can be in the Transfer State at a given time. If a previously selected miniSD Card is in the Transfer State, its connection with the host is released and it will move back to the Stand-by State. When CMD7 is issued with the reserved relative card address “0x0000,” all cards transfer back to Stand-by State. (Note that it is the responsibility of the Host to reserve the RCA=0 for card de-selection—refer to Table 4-5, CMD7 description). This may be used before identifying new cards without resetting other already registered cards. Cards that already have an RCA do not respond to identification commands (ACMD41, CMD2, CMD3) in this state.

Important Note: The card de-selection is done if a certain card gets CMD7 with un-matched RCA. That happens automatically if selection is done to another card and the *CMD lines are common*. So, in the miniSD Card system, it will be the responsibility of the host either:

- To work with the common CMD line (after initialization is done). In this case the card de-selection will be done automatically (as in MultiMediaCard system).
- If the CMD lines are separate, to be aware of the necessity to deselect cards.

All data communication in the Data Transfer Mode is point-to-point between the host and the selected miniSD Card (using addressed commands). All addressed commands are acknowledged with a response on the CMD line.

---

The relationship between the various data transfer modes is summarized in Figure 4-8, and in the following paragraphs:

- All data read commands may be aborted any time by the stop command (CMD12). The data transfer will terminate and the card will return to the *Transfer State*. The read commands are: block read (CMD17), multiple block read (CMD18), send write protect (CMD30), send scr (ACMD51) and general command in read mode (CMD56).
- All data write commands can be aborted any time by the stop command (CMD12). The write commands must be stopped prior to deselecting the card by CMD7. The write commands are: block write (CMD24 and CMD25), write CID (CMD26), write CSD (CMD27), lock/unlock command (CMD42) and general command in write mode (CMD56).
- As soon as the data transfer is completed, the card will exit the data write state and move either to the *Programming State* (transfer is successful) or *Transfer State* (transfer failed).
- If a block-write operation is stopped and the block length and CRC of the last block are valid, the data will be programmed.
- The card may provide buffering for block write. This means that the next block can be sent to the card while the previous is being programmed. If all write buffers are full, and as long as the card is in *Programming State* (see miniSD Card state diagram Figure 5-8), the DAT0 line will be kept low (BUSY).
- There is no buffering option for write CSD, write CID, write protection and erase. This means that while the card is busy servicing any one of these commands, no other data transfer commands will be accepted. DAT0 line will be kept low as long as the card is busy and in the *Programming State*. Actually if the CMD and DAT0 lines of the cards are kept separated and the host keeps the busy DAT0 line disconnected from the other DAT0 lines (of the other cards), the host may access the other cards while the card is in busy.
- Parameter-set commands are *not* allowed while the card is programming. Parameter-set commands include: set block length (CMD16), erase block start (CMD32) and erase block end (CMD33).
- Read commands are *not* allowed while the card is programming.
- Moving another card from *Stand-by* to *Transfer State* (using CMD7) will not terminate erase and programming operations. The card will switch to the *Disconnect State* and will release the DAT line.
- A card can be reselected while in the *Disconnect State*, using CMD7. In this case the card will move to the *Programming State* and reactivate the busy indication.
- Resetting a card (using CMD0 or CMD15) will terminate any pending or active programming operation. This may destroy the data contents on the card. It is the host's responsibility to prevent this.

---

#### **4.4.1. Wide Bus Selection/Deselection**

Wide Bus (4 bit bus width) operation mode may be selected/deselected using ACMD6. The default bus width after power up or GO\_IDLE (CMD0) is 1 bit bus width. ACMD6 command is valid in '*tran state*' only. That means that the bus width may be changed only after a card was selected (CMD7).

---

#### **4.4.2. Data Read Format**

The DAT bus line is high when no data is transmitted. A transmitted data block consists of a start bit (LOW), followed by a continuous data stream. The data stream contains the net payload data (and error correction bits if an off-card ECC is used). The data stream ends with an end bit (HIGH). The data transmission is synchronous to the clock signal.

---

---

The payload for block-oriented data transfer is preserved by a CRC check sum. The generator polynomial is a standard CCITT polynomial:

$$x^{16}+x^{12}+x^5+1$$

The code is a shortened BCH code with  $d=4$  and is used for payload length of up to 2048 Bytes. Note that the CRC check sum is calculated and attached to each DAT line at the end of the block. In the case of a wide bus operation (DAT0-DAT3), the 16-bit CRC is calculated separately for each DAT line.

### **Block Read**

A block read is a block-oriented data transfer. The basic unit of data transfer is a block whose maximum size is defined in the CSD (READ\_BL\_LEN). Smaller blocks whose starting and ending address are wholly contained within one physical block (as defined by READ\_BL\_LEN) may also be transmitted. A CRC is appended to the end of each block ensuring data transfer integrity. CMD17 (READ\_SINGLE\_BLOCK) starts a block read, and after a complete transfer the card goes back to Transfer State. CMD18 (READ\_MULTIPLE\_BLOCK) starts a transfer of several consecutive blocks. Blocks will be continuously transferred until a stop command is issued. The stop command has an execution delay due to the serial command transmission. The data transfer stops after the end bit of the stop command.

If the host uses partial blocks whose accumulated length is not block aligned, the card will, at the beginning of the first misaligned block, detect a block misalignment error, set the ADDRESS\_ERROR error bit in the status register, abort transmission and wait (in the *Data State*) for a stop command.

---

### **4.4.3. Data Write Format**

The data transfer format is similar to the data read format. For block-oriented write data transfer, the CRC check bits are added to each data block. The card performs a CRC check for each data line at the end of each received data block prior to a write operation. (The polynomial is the same one used for a read operation.) With this mechanism, writing of erroneously transferred data can be prevented.

### **Block Write**

During block write (CMD24—27,42,56(w)), one or more blocks of data are transferred from the host to the card, with CRC appended to the end of each block by the host. The SanDisk miniSD Card is able to accept a block of data defined by WRITE\_BL\_LEN of 512 bytes. If the CRC fails, the card shall indicate the failure on the DAT line (see below); the transferred data will be discarded and not written, and all further transmitted blocks (in multiple block write mode) will be ignored.

Multiple-block-write command shall be used rather than continuous single write commands to make faster write operation. Partial block writes (blocks smaller than 512 bytes) are not allowed in the SanDisk miniSD Card.

The write operation will be aborted if the host tries to write over a write-protected area. In this case, the card sets the WP\_VIOLATION bit in the status register, and while ignoring all further data transfer, waits in the *Receive-data-State* for a stop command.

Programming of the CID and CSD registers does not require a previous block length setting. The transferred data is also CRC protected. If a part of the CSD or CID register is stored in ROM, then this unchangeable part must match the corresponding part of the receive buffer. If this match fails, then the card will report an error and not change any register contents.

---

---

After receiving a block of data and completing the CRC check, the card will begin writing and hold the DAT0 line low if its write buffer is full and unable to accept new data from a new WRITE\_BLOCK command. The host may poll the status of the card with a SEND\_STATUS command (CMD13) at any time, and the card will respond with its status. The status bit READY\_FOR\_DATA indicates whether the card can accept new data or whether the write process is still in progress. The host may deselect the card by issuing CMD7 (to select a different card), which will displace the card into the *Disconnect State* and release the DAT line without interrupting the write operation. When reselecting the card, it will reactivate busy indication by pulling DAT to low if programming is still in progress and the write buffer is unavailable. Actually, the host may perform simultaneous write operations to several cards by using an inter-leaving process. The interleaving process consists of accessing each card separately while other cards are “busy”. This process can be done by proper CMD and DAT0-3 line manipulations (disconnection of busy cards).

### **Pre-erase setting prior to a multiple block-write operation**

Setting a number of write blocks to be pre\_erased (ACMD23) will make a following Multiple Block Write operation faster compared to the same operation without preceding ACMD23. The host will use this command to define how many write blocks are going to be sent in the next write operation. If the host terminates the write operation (using stop transmission) before all the data blocks are sent to the card, the content of the remaining write blocks is undefined (can be either erased or still have the old data). If the host sends a greater number of write blocks than are defined in ACMD23, the card will erase blocks one by one (as new data is received). This number will be reset to the default (=1) value after Multiple Blocks Write operation.

It is recommended to use this command preceding CMD25, so that SanDisk’s miniSD Card will be faster for Multiple Write Blocks operation. Note that the host must send ACMD23 just before the WRITE command if the host wants to use the pre-erase feature. If not, pre-erase-count might be cleared automatically when another command (ex: Security Application Commands) is executed.

### **Send Number of Written Blocks**

Systems that use the PipeLine mechanism for data buffers management are, in some cases, unable to determine which block was the last to be well written to the flash if an error occurs in the middle of a Multiple Blocks Write operation. The card will respond to ACMD22 with the number of well-written blocks.

### **Erase**

It is desirable to erase many write blocks simultaneously in order to enhance the data throughput. Identification of these write blocks is accomplished with the ERASE\_WR\_BLK\_START (CMD32), ERASE\_WR\_BLK\_END (CMD33) commands.

The host must adhere to the following command sequence: ERASE\_WR\_BLK\_START, ERASE\_WR\_BLK\_END and ERASE (CMD38).

If an erase (CMD38) or address setting (CMD32, 33) command is received out of sequence, the card shall set the ERASE\_SEQ\_ERROR bit in the status register and reset the whole sequence.

If an out of sequence command (except SEND\_STATUS) is received, the card shall set the ERASE\_RESET status bit in the status register, reset the erase sequence and execute the last command.

If the erase range includes write protected sectors, they shall be left intact and only the non-protected sectors shall be erased. The WP\_ERASE\_SKIP status bit in the status register shall be set.

The address field in the address setting commands is a write block address in byte units. The card will ignore all LSBs below the WRITE\_BLK\_LEN (see CSD) size.

---

---

As described above for block write, the card will indicate that an erase is in progress by holding DAT0 low. The actual erase time may be quite long, and the host may issue CMD7 to deselect the card or perform card disconnection, as described in the Block Write section, above.

The data at the card after an erase operation is either '0' or '1', depending on the card vendor. The SCR register bit DATA\_STAT\_AFTER\_ERASE (bit 55) defines whether it is '0' or '1'.

---

#### **4.4.4. Write Protect Management**

Three write protect methods are supported in the miniSD Card as follows:

- Mechanical write protect switch (Host responsibility only)
- Card internal write protect (Card's responsibility)
- Password protection card lock operation.

---

##### **4.4.4.1. Mechanical Write Protect Switch**

A mechanical sliding tablet on the side of the card (refer to the mechanical description) will be used by the user to indicate that a given card is write protected or not. If the sliding tablet is positioned in such a way that the window is open it means that the card is write protected. If the window is close the card is not write protected.

A proper, matched, switch on the socket side will indicate to the host that the card is write-protected or not. It is the responsibility of the host to protect the card. The position of the write protect switch is *un-known to the internal circuitry of the card*.

---

##### **4.4.4.2. Card's Internal Write Protection (Optional)**

Card data may be protected against either erase or write. The entire card may be permanently write-protected by the manufacturer or content provider by setting the permanent or temporary write protect bits in the CSD.

---

#### **4.4.5. Application Specific Commands**

The miniSD Card is defined to be protocol-forward compatible to the MultiMediaCard Standard.

The miniSD Card system is designed to provide a standard interface for a variety application types. In order to keep future compatibility to the MultiMediaCard standard together with new miniSD card-specific commands, the miniSD Card uses the Application Specific commands feature to implement its proprietary commands. Following is a description of APP\_CMD and GEN\_CMD as they were defined in the MultiMediaCard Specification.

##### **Application Specific Command—APP\_CMD (CMD55)**

This command, when received by the card, will cause the card to interpret the following command as an application specific command (ACMD). The ACMD has the same structure as regular MultiMediaCard standard commands and it may have the same CMD number. The card will recognize it as ACMD by the fact that it appears after APP\_CMD.

---

The only effect of the APP\_CMD is that if the command index of the immediately following command has an ACMD overloading it, the non standard version will be used. For example, a card has a definition for ACMD13 but not for ACMD7. Therefore, if Command 13 is received immediately after APP\_CMD command, it would be interpreted as the non standard ACMD13, whereas command 7, similarly received, would be interpreted as the standard CMD7. In order to use one of the manufacturer specific ACMDs the host does one of the following:

- Sends APP\_CMD. The response will have the APP\_CMD bit (new status bit) set signaling to the host that ACMD is now expected.
- Sends the required ACMD. The response will have the APP\_CMD bit set, indicating that the accepted command was interpreted as ACMD. If a non-ACMD is sent, the card will respect as a normal miniSD Card command, and the APP\_CMD bit in the Card Status stays clear.

If a non-valid command is sent (neither ACMD nor CMD) then it will be handled as a standard miniSD Card illegal command error.

From the miniSD Card protocol point of view, the ACMD numbers will be defined by manufacturers (with some restrictions). The following ACMD numbers are reserved for the miniSD Card proprietary applications and may not be used by any miniSD Card manufacturer:

ACMD6, ACMD13, ACMD17-25, ACMD38-49, ACMD51.

#### **General Command—GEN\_CMD (CMD56)**

The bus transaction of the GEN\_CMD is the same as the single block read or write commands (CMD24 or CMD17). The difference is that the argument denotes the direction of the data transfer (rather than the address) and the data block is not memory payload data but has a vendor specific format and meaning. The card shall be selected (*'tran\_state'*) before sending CMD56. The data block size is the BLOCK\_LEN that was defined with CMD16. The response to CMD56 will be R1.

Currently, there are no defined commands or usage for CMD56 in SanDisk's miniSD Card, but new commands may be easily defined and tailored for OEM application specific requirements (upon request to SanDisk).

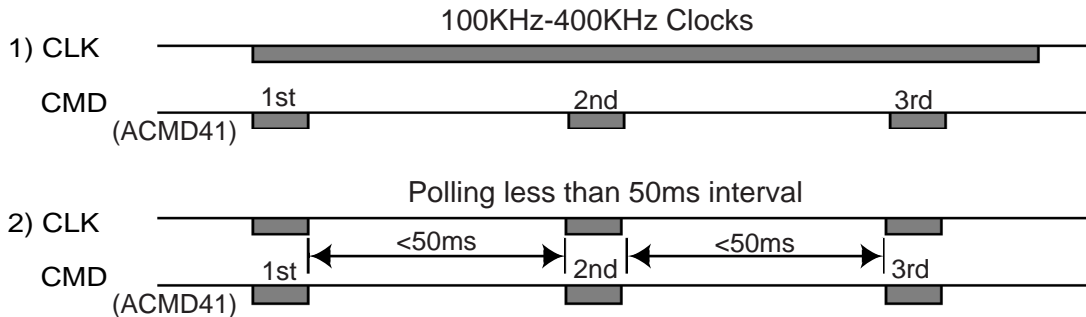
---

## **4.5. Clock Control**

The miniSD Card bus clock signal can be used by the miniSD Card host to set the cards to energy saving mode or to control the data flow on the bus. The host is allowed to lower the clock frequency or shut it down.

There are a few restrictions the miniSD Card host must follow:

- The bus frequency can be changed at any time (under the restrictions of maximum data transfer frequency, defined by the miniSD Card and the identification frequency).
- An exception to the above is ACMD41 (SD\_APP\_OP\_COND). After issuing command ACMD41, the following 1 or 2 procedures shall be done by the host until the card becomes ready.
  - 1) Issue continuous clock in frequency range of 100KHz-400KHz.
  - 2) If the host wants to stop the clock, poll busy bit by ACMD41 command at less than 50ms intervals.



**Figure 4-9. Host Procedures Waiting for Card to be Ready**

- It is an obvious requirement that the clock must be running for the miniSD Card to output data or response tokens. After the last miniSD Card bus transaction, the host is required to provide **eight** clock cycles for the card to complete the operation before shutting down the clock. Following is a list of various miniSD Card bus transactions:
  - A command with no response—eight clocks after the host command end bit.
  - A command with response—eight clocks after the card response end bit.
  - A read data transaction—eight clocks after the end bit of the last data block.
  - A write data transaction—eight clocks after the CRC status token.
- The host is allowed to shut down the clock of a “busy” card. The miniSD Card will complete the programming operation regardless of the host clock. However, the host must provide a clock edge for the card to turn off its busy signal. Without a clock edge the miniSD Card (unless previously disconnected by a deselect command -CMD7) will force the DAT0 line down, permanently.

## 4.6. Cyclic Redundancy Codes (CRC)

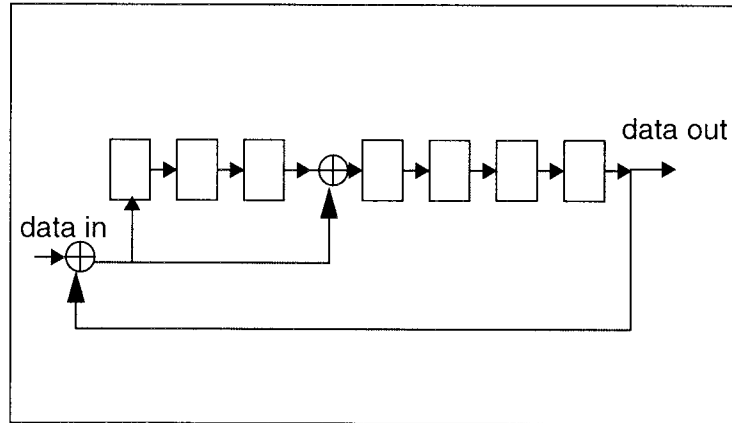
The Cyclic Redundancy Check (CRC) is intended for protecting miniSD Card commands, responses and data transfer against transmission errors on the miniSD Card bus. One CRC is generated for every command and checked for every response on the CMD line. For data blocks, CRC is generated for each DAT line per transferred block. The CRC is generated and checked as described in the following:

### CRC7

The CRC7 check is used for all commands, for all responses except type R3, and for the CSD and CID registers. The CRC7 is a 7-bit value and is computed as follows:

$$\begin{aligned} \text{generator polynomial: } G(x) &= x^7 + x^3 + 1. \\ M(x) &= (\text{first bit}) * x^n + (\text{second bit}) * x^{n-1} + \dots + (\text{last bit}) * x^0 \\ \text{CRC}[6\dots0] &= \text{Remainder} [(M(x) * x^7) / G(x)] \end{aligned}$$

The first bit is the most significant bit of the corresponding bit string (of the command, response, CID or CSD). The degree  $n$  of the polynomial is the number of CRC protected bits decreased by one. The number of bits to be protected is 40 for commands and responses ( $n = 39$ ), and 120 for the CSD and CID ( $n = 119$ ).



**Figure 4-10. CRC7 Generator/Checker**

### CRC16

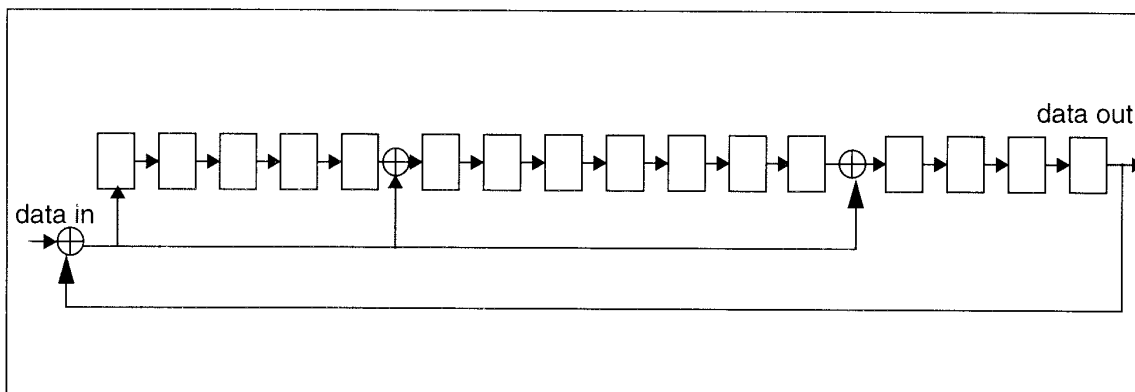
When one DAT line is used (as in the MultiMediaCard), the CRC16 is used for payload protection in block transfer mode. The CRC check sum is a 16-bit value and is computed as follows:

$$\text{generator polynomial } G(x) = x^{16} + x^{12} + x^5 + 1$$

$$M(x) = (\text{first bit}) * x^n + (\text{second bit}) * x^{n-1} + \dots + (\text{last bit}) * x^0$$

$$\text{CRC}[15\dots 0] = \text{Remainder} [(M(x) * x^{16}) / G(x)]$$

The first bit is the first data bit of the corresponding block. The degree  $n$  of the polynomial denotes the number of bits of the data block decreased by one. For example,  $n = 4,095$  for a block length of 512 bytes. The generator polynomial  $G(x)$  is a standard CCITT polynomial. The code has a minimal distance  $d=4$  and is used for a payload length of up to 2,048 bytes ( $n \leq 16,383$ ). The same CRC16 method is used in single DAT line mode and in wide bus mode. In wide bus mode, the CRC16 is done on each line separately.



**Figure 4-11. CRC16 Generator/Checker**

---

---

## 4.7. Error Conditions

The following sections provide valuable information on error conditions.

---

### 4.7.1. CRC and Illegal Command

CRC bits protect all commands. If the addressed miniSD Card's CRC check fails, the card does not respond and the command is not executed. The miniSD Card does not change its state, and COM\_CRC\_ERROR bit is set in the status register.

Similarly, if an illegal command has been received, a miniSD Card shall not change its state, shall not respond and shall set the ILLEGAL\_COMMAND error bit in the status register. Only the non-erroneous state branches are shown in the state diagrams (Figure 5-7 and Figure 5-8). Table 5-11 contains a complete state transition description.

There are different kinds of illegal commands:

- Commands belonging to classes not supported by the miniSD Card (e.g., write commands in read-only cards).
- Commands not allowed in the current state (e.g., CMD9 in Transfer State).
- Commands not defined (e.g., CMD5).

---

### 4.7.2. Read, Write and Erase Time-out Conditions

Times after which a time-out condition for Read operations occur are (card independent) **either 100 times longer** than the typical access times for these operations given below **or 100ms**. The times after which a time-out condition for Write/Erase operations occur are (card independent) **either 100 times longer** than the typical program times for these operations given below **or 250ms**. A card shall complete the command within this time period, or give up and return an error message. If the host does not get any response with the given time out it should assume the card is not going to respond anymore and try to recover (e.g., reset the card, power cycle, reject). The typical access and program times are defined as follows:

#### Read

The read access time is defined as the sum of the two times given by the CSD parameters TAAC and NSAC. These card parameters define the typical delay between the end bit of the read command and the start bit of the data block.

#### Write

The R2W\_FACTOR field in the CSD is used to calculate the typical block program time obtained by multiplying the read access time by this factor. It applies to all write/erase commands (e.g., SET(CLEAR)\_WRITE\_PROTECT, PROGRAM\_CSD(CID) and the block write commands).

#### Erase

The duration of an erase command will be (order of magnitude) the number of write blocks (WRITE\_BL) to be erased multiplied by the block write delay.

---

---

## 4.8. Commands

The following sections provide valuable information on commands.

---

### 4.8.1. Command Types

There are four kinds of commands defined to control the miniSD Card:

- Broadcast Commands (**bc**), no response—The broadcast feature is applicable only if all the CMD lines are connected together in the host. If they are separated then each card will accept it separately on his turn.
- Broadcast Commands with Response (**bcr**)—response from all cards simultaneously. Since there is no Open Drain mode in miniSD Card, this type of command is used only if all the CMD lines are separated. The command will be accepted and responded to by every card separately.
- Addressed (point-to-point) Commands (**ac**)—no data transfer on DAT.
- Addressed (point-to-point) Data Transfer Commands (**adtc**)—data transfer on DAT.

All commands and responses are sent over the CMD line of the miniSD Card. The command transmission always starts with the left bit of the bit string corresponding to the command code word.

---

### 4.8.2. Command Format

(Command length 48 bits, 1.92  $\mu$ s @ 25 MHz)

0	1	bit 5...bit 0	bit 31...bit 0	bit 6...bit 0	1
start bit	host	command	argument	CRC7 <sup>1</sup>	end bit

Commands and arguments are listed in Table 5-3 through Table 5-10.

7-bit CRC Calculation:  $G(x) = x^7 + x^3 + 1$

$M(x) = (\text{start bit}) * x^{39} + (\text{host bit}) * x^{38} + \dots + (\text{last bit before CRC}) * x^0$

$\text{CRC}[6...0] = \text{Remainder}[(M(x) * x^7) / G(x)]$

---

### 4.8.3. Command Classes

The command set of the miniSD Card is divided into several classes (refer to Figure 4-2). Each class supports a set of miniSD Card functions.

The supported Card Command Classes (CCC) are coded as a parameter in the card specific data (CSD) register of each card, providing the host with information on how to access the card.

---

1) 7-bit Cyclic Redundancy Check.

**Table 4-3. Card Command Classes (CCCs)**

	0	1	2	3	4	5	6	7	8	9-11
Supported Commands	Basic	Reserved	Block Read	Reserved	Block Write	Erase	Write Protection	Lock Card	Application Specific	Reserved
CMD0	+									
CMD2	+									
CMD3	+									
CMD4	+									
CMD7	+									
CMD9	+									
CMD10	+									
CMD12	+									
CMD13	+									
CMD15	+									
CMD16			+		+					
CMD17			+							
CMD18			+							
CMD24					+					
CMD25					+					
CMD27					+					
CMD28							+			
CMD29							+			
CMD30							+			
CMD32						+				
CMD33						+				
CMD38						+				
CMD42								+		
CMD55									+	
CMD56									+	
ACMD6									+	
ACMD13									+	
ACMD22									+	
ACMD23									+	
ACMD41									+	
ACMD42									+	
ACMD51									+	

#### 4.8.4. Detailed Command Description

Tables 4-3 through 4-9 define in detail the miniSD Card bus commands.

**Table 4-5. Basic Commands and Stream Read Commands (Class 0 And Class 1)**

Cmd Index	Type	Argument	Resp	Abbreviation	Command Description
CMD0	bc	[31:0] don't care*	-	GO_IDLE_STATE	Resets all cards to Idle State.
CMD1	Reserved				
CMD2	bcr	[31:0] don't care*	R2	ALL_SEND_CID	Asks any card to send their CID numbers on the CMD line. (Any card that is connected to the host will respond.)
CMD3	bcr	[31:0] don't care*	R6	SEND_RELATIVE_ADDR	Asks the card to publish a new relative address (RCA).
CMD4 <sup>1</sup>	Not Supported				
CMD5	Reserved				
CMD6	Reserved				
CMD7	ac	[31:16] RCA [15:0] don't care*	R1 (only from the selected card)	SELECT/DESELECT_CARD	Command toggles a card between the Stand-by and Transfer states or between the Programming and Disconnect state.  In both cases the card is selected by its own relative address and deselected by any other address; address 0 deselects all. When the RCA equals 0, the host may do one of the following: —use other RCA number to perform card de-selection or —re-send CMD3 to change its RCA number to other than 0 and then use CMD7 with RCA=0 for card de-selection.
CMD8	Reserved				
CMD9	ac	[31:16] RCA [15:0] don't care*	R2	SEND_CSD	Addressed card sends its card-specific data (CSD) on the CMD line.
CMD10	ac	[31:16] RCA [15:0] don't care*	R2	SEND_CID	Addressed card sends its card identification (CID) on the CMD line.
CMD12	ac	[31:0] don't care*	R1b <sup>2</sup>	STOP_TRANSMISSION	Terminates a multiple block read/write operation.
CMD13	ac	[31:16] RCA [15:0] don't care*	R1	SEND_STATUS	Addressed card sends its status register.
CMD14	Reserved				
CMD15	ac	[31:16] RCA [15:0] don't care*	-	GO_INACTIVE_STATE	Sets the card to inactive state.

\* The bit places must be filled but the value is irrelevant.

**Table 4-7. Block Read Commands (Class 2)**

Cmd Index	Type	Argument	Resp	Abbreviation	Command Description
CMD16	ac	[31:0] block length	R1	SET_BLOCKLEN	Selects a block length (in bytes) for all following block commands (read and write). <sup>1</sup>

- 1) The DSR option (as well as the SET\_DSR command) is not supported by the SanDisk miniSD Card.
- 2) The card may become busy after this command. Refer to Figure 5-25 for more details.

CMD17	adtc	[31:0] data address	R1	READ_SINGLE_BLOCK	Reads a block of the size selected by the SET_BLOCKLEN command. <sup>2</sup>
CMD18	adtc	[31:0] data address	R1	READ_MULTIPLE_BLOCK	Continuously send blocks of data until interrupted by a stop transmission command.
CMD19 – CMD23	Reserved				

**Table 4-9. Block Write Commands (Class 4)**

Cmd Index	Type	Argument	Resp	Abbreviation	Command Description
CMD24	adtc	[31:0] data address	R1	WRITE_BLOCK	Writes a block of the size selected by the SET_BLOCKLEN command. <sup>3</sup>
CMD25	adtc	[31:0] data address	R1	WRITE_MULTIPLE_BLOCK	Continuously writes blocks of data until a STOP_TRANSMISSION follows.
CMD26	Not Applicable				
CMD27	adtc	[31:0] don't care*	R1	PROGRAM_CSD	Programming of the programmable bits of the CSD.

\* The bit places must be filled but the value is irrelevant.

**Table 4-11. Write Protection (Class 6)**

Cmd Index	Type	Argument	Resp	Abbreviation	Command Description
CMD28*	ac	[31:0] data address	R1b	SET_WRITE_PROT	This command sets the write protection bit of the addressed group. The properties of write protection are coded in the card specific data (WP_GRP_SIZE).
CMD29*	ac	[31:0] data address	R1b	CLR_WRITE_PROT	This command clears the write protection bit of the addressed group.
CMD30*	adtc	[31:0] write protect data address	R1	SEND_WRITE_PROT	This command asks the card to send the status of the write protection bits.
CMD31	Reserved				

- 1) The default block length is as specified in the CSD (512 bytes). A set block length of less than 512 bytes will cause a write error. The only valid write set block length is 512 bytes. CMD16 is not mandatory if the default is accepted.
- 2) The data transferred must not cross a physical block boundary.
- 3) All data blocks are responded to with a data response token followed by a busy signal. The data transferred must not cross a physical block boundary.

**Table 4-13. Erase Commands (Class 5)**

Cmd Index	Type	Argument	Resp	Abbreviation	Command Description
CMD32	ac	[31:0] data address	R1	ERASE_WR_BLK_START	Sets the address of the first write block to be erased.
CMD33	ac	[31:0] data address	R1	ERASE_WR_BLK_END	Sets the address of the last write block of the continuous range to be erased.
CMD34 ... CMD37	Reserved				
CMD38	ac	[31:0] don't care*	R1b	ERASE	Erases all previously selected write blocks.
CMD39 ... CMD41	Reserved				

\* The bit places must be filled but the value is irrelevant.

**Table 4-15. Lock Card Commands (Class 7)**

Cmd Index	Type	Argument	Resp	Abbreviation	Command Description
CMD42 .... CMD54	SDA Optional Commands, currently supported by SanDisk miniSD Card.				

**Table 4-17. Application Specific Commands (Class 8)**

CMD INDEX	Type	Argument	Resp.	Abbreviation	Command Description
CMD55	ac	[31:16] RCA [15:0] stuff bits	R1	APP_CMD	Indicates to the card that the next command is an application specific command rather than a standard command
CMD56	adtc	[31:1] stuff bits. [0]: RD/ WR <sup>1</sup>	R1	GEN_CMD	Used either to transfer a data block to the card or to get a data block from the card for general purpose / application specific commands. The size of the data block shall be set by the SET_BLOCK_LEN command.
CMD57 ... CMD59	Reserved				
CMD60 -63	Reserved for Manufacturer				

1) RD/WR: "1" = the host gets a block of data from the card. "0" = the host sends a block of data to the card.

Table 4-19 describes all the application specific commands supported/reserved by the miniSD Card. All the following ACMDs shall be preceded with APP\_CMD command (CMD55).

**Table 4-19. Application Specific Commands Used/Reserved by miniSD Card**

ACMD INDEX	Type	Argument	Resp.	Abbreviation	Command Description
ACMD6	ac	[31:2] stuff bits [1:0]bus width	R1	SET_BUS_WIDTH	Defines the data bus width ('00'=1bit or '10'=4 bits bus) to be used for data transfer.
ACMD13	adtc	[31:0] stuff bits	R1	SD_STATUS	Send the miniSD Card status. The status fields are given in Table 4-28.
ACMD17	Reserved				
ACMD18	--	--	--	--	Reserved for SD security applications. <sup>1</sup>
ACMD19 to ACMD21	Reserved				
ACMD22	adtc	[31:0] stuff bits	R1	SEND_NUM_WR_BLOCKS	Send the number of the written (without errors) write blocks. Responds with 32bit+CRC data block.
ACMD23	ac	[31:23] stuff bits [22:0]Number of blocks	R1	SET_WR_BLK_ERASE_COUNT	Set the number of write blocks to be pre-erased before writing (to be used for faster Multiple Block WR command). "1"=default (one wr block) <sup>2</sup> .
ACMD24	Reserved				
ACMD25	--	--	--	--	Reserved for SD security applications. <sup>1</sup>
ACMD26	--	--	--	--	Reserved for SD security applications. <sup>1</sup>
ACMD38	--	--	--	--	Reserved for SD security applications. <sup>1</sup>
ACMD39 to ACMD40	Reserved				
ACMD41	bcr	[31:0]OCR without busy	R3	SD_APP_OP_COND	Asks the accessed card to send its operating condition register (OCR) content in the response on the CMD line.
ACMD42	ac	[31:1] stuff bits [0]set_cd	R1	SET_CLR_CARD_DETECT	Connect[1]/Disconnect[0] the 50KOhm pull-up resistor on CD/DAT3 (pin 1) of the card. The pull-up may be used for card detection.
ACMD43 ACMD49	--	--	--	--	Reserved for SD security applications. <sup>1</sup>
ACMD51	adtc	[31:0] staff bits	R1	SEND_SCR	Reads the SD Configuration Register (SCR).

NOTES: 1) Refer to *miniSD Card Security Specification* for detailed explanation about the SD Security Features  
2) Command STOP\_TRAN (CMD12) shall be used to stop the transmission in Write Multiple Block whether the pre-erase (ACMD23) feature is used or not.

## 4.9. Card State Transition Table

Table 4-21 defines the miniSD Card state transitions in dependency of the received command.

**Table 4-21. Card State Transition Table**

	Current State									
	idle	ready	ident	stby	tran	data	rcv	prg	dis	ina
Command	Changes to									
<b>Class Independent</b>										
CRC error	-	-	-	-	-	-	-	-	-	-
command not supported	-	-	-	-	-	-	-	-	-	-
<b>Class 0</b>										
CMD0	idle	idle	idle	idle	idle	idle	idle	idle	idle	-
CMD2	-	ident	-	-	-	-	-	-	-	-
CMD3	-	-	stby	stby	-	-	-	-	-	-
CMD4	-	-	-	stby	-	-	-	-	-	-
CMD7, card is addressed	-	-	-	tran	-	-	-	-	prg	-
CMD7, card is not addressed	-	-	-	stby	stby	stby	-	dis	-	-
CMD9	-	-	-	stby	-	-	-	-	-	-
CMD10	-	-	-	stby	-	-	-	-	-	-
CMD12	-	-	-	-	-	tran	prg	-	-	-
CMD13	-	-	-	stby	tran	data	rcv	prg	dis	-
CMD15	-	-	-	ina	ina	ina	ina	ina	ina	-
<b>Class 2</b>										
CMD16	-	-	-	-	tran	-	-	-	-	-
CMD17	-	-	-	-	data	-	-	-	-	-
CMD18	-	-	-	-	data	-	-	-	-	-
<b>Class 4</b>										
CMD16	See Class 2									
CMD24	-	-	-	-	rcv	-	-	-	-	-
CMD25	-	-	-	-	rcv	-	-	-	-	-
CMD27	-	-	-	-	rcv	-	-	-	-	-
<b>Class 6</b>										
CMD28	-	-	-	-	prg	-	-	-	-	-
CMD29	-	-	-	-	prg	-	-	-	-	-
CMD30	-	-	-	-	data	-	-	-	-	-
<b>Class 5</b>										
CMD32	-	-	-	-	tran	-	-	-	-	-

	Current State									
	idle	ready	ident	stby	tran	data	rcv	prg	dis	ina
CMD33	-	-	-	-	tran	-	-	-	-	-
CMD38	-	-	-	-	prg	-	-	-	-	-
<b>Class 7</b>										
CMD42	This is an SDA optional command supported by the SanDisk miniSD Card.									
<b>Class 8</b>										
CMD55	idle	-	-	stby	tran	data	rcv	prg	dis	-
CMD56; RD/WR = 0	-	-	-	-	rcv	-	-	-	-	-
CMD56; RD/WR = 1	-	-	-	-	data	-	-	-	-	-
ACMD6	-	-	-	-	tran	-	-	-	-	-
ACMD13	-	-	-	-	tran	-	-	-	-	-
ACMD22	-	-	-	-	tran	-	-	-	-	-
ACMD23	-	-	-	-	tran	-	-	-	-	-
ACMD18,25,26,38, 43,44,45,46,47,48,49	Refer to <i>miniSD Card Security Specification</i> for an explanation of the SD Security Features. The SanDisk miniSD Card supports all the security related commands as explained in the specification.									
ACMD41, card V <sub>DD</sub> range compatible	ready	-	-	-	-	-	-	-	-	-
ACMD41, card is busy	idle	-	-	-	-	-	-	-	-	-
ACMD41, card V <sub>DD</sub> range not compatible	ina	-	-	-	-	-	-	-	-	-
ACMD42	-	-	-	-	tran	-	-	-	-	-
ACMD51	-	-	-	-	data	-	-	-	-	-
class 9- 11										
CMD41; CMD43...CMD54, CMD57-CMD59	Reserved									
CMD60...CMD63	Reserved for manufacturer									

## 4.10. Responses

All responses are sent via the CMD line. The response transmission always starts with the MSB. The response length depends on the response type.

A response always starts with a start bit (always '0'), followed by the bit indicating the direction of transmission (card = '0'). A value denoted by 'x' in the tables below indicates a variable entry. All responses except for the type R3 (see below) are protected by a CRC. Every response is terminated by the end bit (always '1').

There are four types of responses that are supported in the SanDisk miniSD Card. Their formats are defined as follows:

**R1** (standard response): response length 48 bit.

Bits 45:40 indicate the index of the command to which it is responding. The status of the card is coded in 32 bits. Note that when a data transfer to the card is involved, a busy signal may appear on the data line after the transmission of each block of data. The host will check for busy after the data block transmission.

**Table 4-23. Response R1**

<b>Bit Position</b>	47	46	[45:40]	[39:8]	[7:1]	0
<b>Width (bits)</b>	1	1	6	32	7	1
<b>Value</b>	'0'	'0'	x	x	x	'1'
<b>Description</b>	start bit	transmission bit	command index	card status	CRC7	end bit

**R1b** is identical to R1 with an optional busy signal transmitted on the data line. The card may become busy after receiving these commands based on its state prior to the command reception. The host will check for busy at the response.

**R2** (CID, CSD register): response length 136 bits.

The content of the CID register is sent as a response to CMD2 and CMD10. The content of the CSD register is sent as a response to CMD9. The only bits transferred are [127...1] of the CID and CSD, bit [0] of these registers is replaced by the end bit of the response.

**Table 4-25. Response R2**

<b>Bit Position</b>	135	134	[133:128]	[127:1]	0
<b>Width (bits)</b>	1	1	6	127	1
<b>Value</b>	'0'	'0'	'111111'	x	'1'
<b>Description</b>	start bit	transmission bit	reserved	CID or CSD register incl. internal CRC7	end bit

**R3** (OCR register): response length 48 bits.

The contents of the OCR register are sent as a response to ACMD41.

**Table 4-27. Response R3**

<b>Bit Position</b>	47	46	[45:40]	[39:8]	[7:1]	0
<b>Width (bits)</b>	1	1	6	32	7	1
<b>Value</b>	'0'	'0'	'111111'	x	'1111111'	'1'
<b>Description</b>	start bit	transmission bit	reserved	OCR register	reserved	end bit

**R4 and R5:** responses are not supported.

**R6** (Published RCA response): code length 48-bit. The bits 45:40 indicate the index of the command to be responded to—in that case it will be ‘000011’ (together with bit 5 in the status bits it means = CMD3). The 16 MSB bits of the argument field are used for the published RCA number.

**Table 4-29. R6 Response**

<b>Bit Position</b>	47	46	[45:40]	[39:8] Argument Field		[7:1]	0
<b>Width (bits)</b>	1	1	6	16	16	7	1
<b>Value</b>	‘0’	‘0’	x	x	x	x	‘1’
<b>Description</b>	start bit	transmission bit	Command index (‘000011’)	New published RCA [31:16] of the card	[15:0] <i>card status</i> bits: 23,22,19,12:0 (see Table 4-28)	CRC7	end bit

## 4.11. Timings

All timing diagrams use the schematics and abbreviations listed in Table 4-31.

**Table 4-31. Timing Diagram Symbols**

S	Start Bit (= 0)
T	Transmitter Bit (Host = 1, Card = 0)
P	One-cycle Pull-up (= 1)
E	End Bit (=1)
Z	High Impedance State (-> = 1)
D	Data Bits
X	Don't Care Data Bits (from Card)
*	Repeater
CRC	Cyclic Redundancy Check Bits (7 Bits)
	Card Active
	Host Active

The difference between the P-bit and Z-bit is that a P-bit is actively driven to HIGH by the card respectively host output driver, while Z-bit is driven to (respectively kept) HIGH by the pull-up resistors  $R_{CMD}$  respectively  $R_{DAT}$ . Actively driven P-bits are less sensitive to noise. All timing values are defined in Table 4-33.

### 4.11.1. Command and Response

Both host command and card responses are clocked out with the rising edge of the host clock.

#### Card identification and card operation conditions timing

The timing for CMD2 and ACMD41 is given bellow. The command is followed by a period of two Z bits (allowing time for direction switching on the bus) and then by P bits pushed up by the responding card. The card response to the host command starts after  $N_{ID}$  clock cycles.

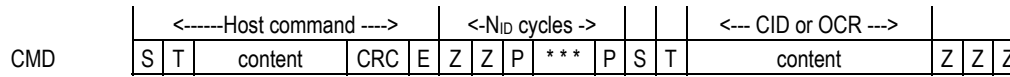


Figure 4-12. Identification Timing (Card Identification Mode)

#### Assign a card relative address

The SEND\_RELATIVE\_ADDR (CMD 3) for miniSD Card timing is given bellow. Note that CMD3 command's content, functionality and timing are different for MultiMediaCard. The minimum delay between the host command and card response is  $N_{CR}$  clock cycles.

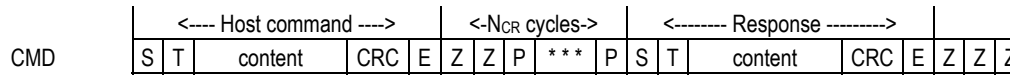


Figure 4-13. SEND\_RELATIVE\_ADDR Timing

#### Data transfer mode

After the card published its own RCA it will switch to data transfer mode. The command is followed by a period of two Z bits (allowing time for direction switching on the bus) and then by P bits pushed up by the responding card. This timing diagram is relevant for all responded host commands except ACMD41 and CMD2.



Figure 4-14. Command Response Timing (Data Transfer Mode)

#### Last Card Response—Next Host Command Timing

After receiving the last card response, the host can start the next command transmission after at least  $N_{RC}$  clock cycles. This timing is relevant for any host command.

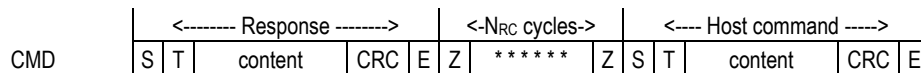


Figure 4-15. Timing Response End to Next CMD Start (Data Transfer Mode)

#### Last Host Command—Next Host Command Timing

After the last command has been sent, the host can continue sending the next command after at least  $N_{CC}$  clock periods.

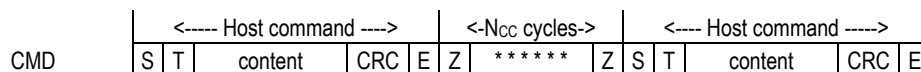


Figure 4-16. Timing of Command Sequences (All Modes)

### 4.11.2. Data Read

Note that the DAT line represents the data bus (either 1 or 4 bits).

#### Single Block Read

The host selects one card for data read operation by CMD7, and sets the valid block length for block oriented data transfer by CMD16. The basic bus timing for a read operation is given in Figure 5-17. The sequence starts with a single block read command (CMD17) which specifies the start address in the argument field. The response is sent on the CMD line as usual.

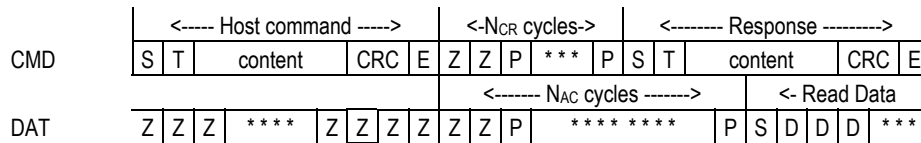


Figure 4-17. Timing of Single Block Read

Data transmission from the card starts after the access time delay  $N_{AC}$  beginning from the end bit of the read command. After the last data bit, the CRC check bits are suffixed to allow the host to check for transmission errors.

#### Multiple Block Read

In multiple block read mode, the card sends a continuous flow of data blocks following the initial host read command. The data flow is terminated by a stop transmission command (CMD12). Figure 4-18 describes the timing of the data blocks and Figure 4- describes the response to a stop command. The data transmission stops two clock cycles after the end bit of the stop command.

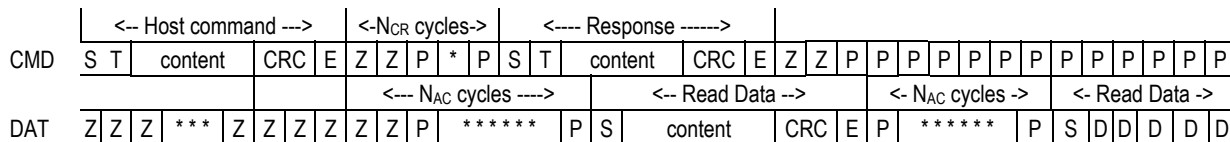


Figure 4-18. Timing of Multiple Block Read Command

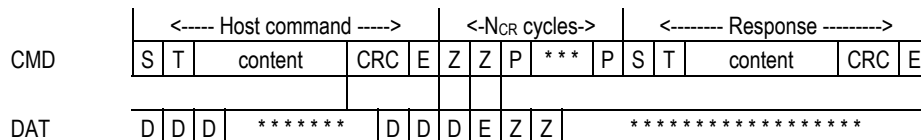


Figure 4-19. Timing of Stop Command (CMD12, Data Transfer Mode)

### 4.11.3. Data Write

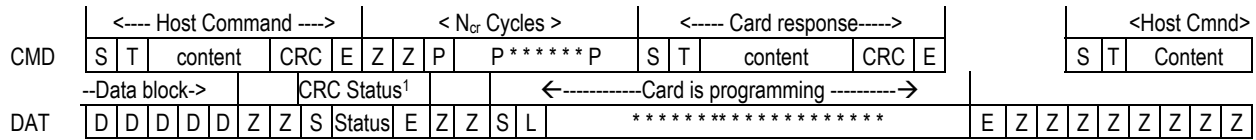
#### Single Block Write

The host selects one card for data write operation by CMD7. The host sets the valid block length for block-oriented data transfer by CMD16.

The basic bus timing for a write operation is given in Figure 5-20. The sequence starts with a single block write command (CMD24) that determines (in the argument field) the start address. It is responded by the card on the CMD line as usual. The data transfer from the host starts  $N_{WR}$  clock cycles after the card response was received.



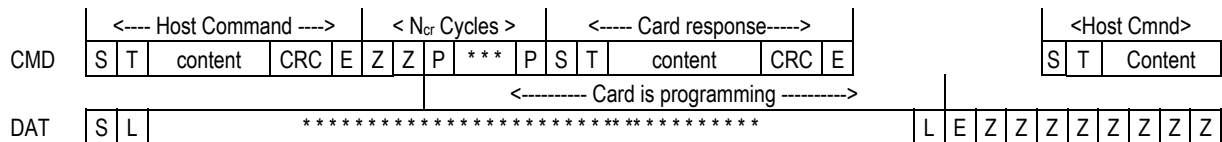
The card will treat a data block as successfully received and ready for programming only if the CRC data of the block was validated and the CRC status token sent back to the host. Figure 4-23 is an example of an interrupted (by a host stop command) attempt to transmit the CRC status block. The sequence is identical to all other stop transmission examples. The end bit of the host command is followed, on the data line, with one more data bit, end bit and two Z clock for switching the bus direction. The received data block, in this case is considered incomplete and will not be programmed.



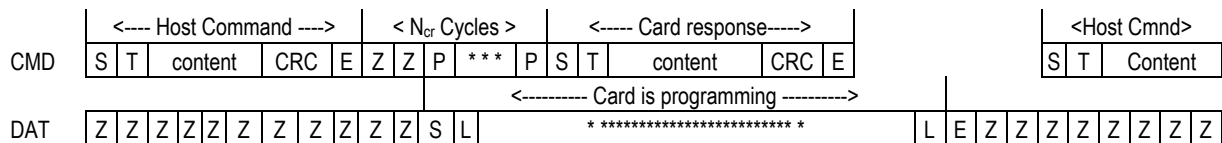
1) The host interrupted the card's CRC status response.

**Figure 4-23. Stop Transmission During CRC Status Transfer from the Card**

All previous examples dealt with the scenario of the host stopping the data transmission during an active data transfer. The following two diagrams describe a scenario of receiving the stop transmission between data blocks. In the first example the card is busy programming the last block while in the second the card is idle. However, there are still un-programmed data blocks in the input buffers. These blocks are being programmed as soon as the stop transmission command is received and the card activates the busy signal.



**Figure 4-24. Stop Transmission Received After Last Data Block. Card is Busy Programming**



**Figure 4-25. Stop Transmission Received After Last Data Block. Card becomes Busy**

### Erase, Set and Clear Write Protect Timing

The host must first tag the start (CMD32) and end (CMD33) addresses of the range to be erased. The erase command (CMD38), once issued, will erase all the selected write blocks. Similarly, set and clear write protect commands start a programming operation as well. The card will signal “busy” (by pulling the DAT line low) for the duration of the erase or programming operation. The bus transaction timings are the same as given for stop transmission command in Figure 4-24.

### Reselecting a Busy Card

When a busy card, which is currently in the dis state, is reselected it will reinstate its busy signaling on the data line. The timing diagram for this command/response/busy transaction is the same as given for stop transmission command in Figure 4-25.

---

---

#### 4.11.4. Timing Values

Table 4-33 defines all timing values.

**Table 4-33. Timing Values**

	Min.	Max.	Unit
<b>N<sub>CR</sub></b>	2	64	Clock Cycles
<b>N<sub>ID</sub></b>	5	5	Clock Cycles
<b>N<sub>AC</sub></b>	2	See note.	Clock Cycles
<b>N<sub>RC</sub></b>	8	-	Clock Cycles
<b>N<sub>CC</sub></b>	8	-	Clock Cycles
<b>N<sub>WR</sub></b>	2	-	Clock Cycles

**NOTE:** MIN  $[(TAAC * f + NSAC * 100) * 100], (100ms * f)$ .

## 5. SPI Protocol Definition

### 5.1. SPI Bus Protocol

While the miniSD Card channel is based on command and data bit-streams, which are initiated by a start bit and terminated by a stop bit, the SPI channel is byte oriented. Every command or data block is built of eight bit bytes and is byte aligned (multiples of eight clocks) to the CS signal.

Similar to the SD Bus protocol, the SPI messages are built from command, response and data-block tokens. The host (master) controls all communication between host and cards. The host starts every bus transaction by asserting the CS signal low.

The response behavior in SPI Bus mode differs from the SD Bus mode in the following three ways:

- The selected card always responds to the command.
- An eight or 16-bit response structure is used.
- When the card encounters a data retrieval problem, it will respond with an error response (which replaces the expected data block) rather than time-out as in the SD Bus mode.

In addition to the command response, every data block sent to the card during write operations will be responded with a special data response token. A data block may be as big as one card write block (WRITE\_BL\_LEN) and as small as a single byte.<sup>1</sup>

#### 5.1.1. Mode Selection

The miniSD Card wakes up in the SD Bus mode. It will enter SPI mode if the CS signal is asserted (negative) during the reception of the reset command (CMD0). If the card recognizes that the SD Bus mode is required it will not respond to the command and remain in the SD Bus mode. If SPI mode is required, the card will switch to SPI mode and respond with the SPI mode R1 response.

The only way to return to the SD Bus mode is by power cycling the card. In SPI mode, the miniSD Card protocol state machine is not observed. All the miniSD Card commands supported in SPI mode are always available.

The default command structure/protocol for SPI mode is that CRC checking is disabled. Since the card powers up in SD Bus mode, CMD0 must be followed by a valid CRC byte (even though the command is sent using the SPI structure). Once in SPI mode, CRCs are disabled by default.

CMD0 is a static command and always generates the same 7-bit CRC of 4Ah. Adding the “1,” end bit (bit 0) to the CRC creates a CRC byte of 95h. The following hexadecimal sequence can be used to send CMD0 in all situations for SPI mode, since the CRC byte (although required) is ignored once in SPI mode. The entire CMD0 sequence appears as 40 00 00 00 00 95 (hexadecimal).

---

1) The default block length is as specified in the CSD (512 bytes). A set block length of less than 512 bytes will cause a write error. The only valid write set block length is 512 bytes. CMD16 is not mandatory if the default is accepted.

---

---

### 5.1.2. Bus Transfer Protection

CRC bits protect every miniSD Card token transferred on the bus. In SPI mode, the miniSD Card offers a non-protected mode which enables systems built with reliable data links to exclude the hardware or firmware required for implementing the CRC generation and verification functions.

In the non-protected mode the CRC bits of the command, response and data tokens are still required in the tokens however, they are defined as “don’t care” for the transmitters and ignored by the receivers.

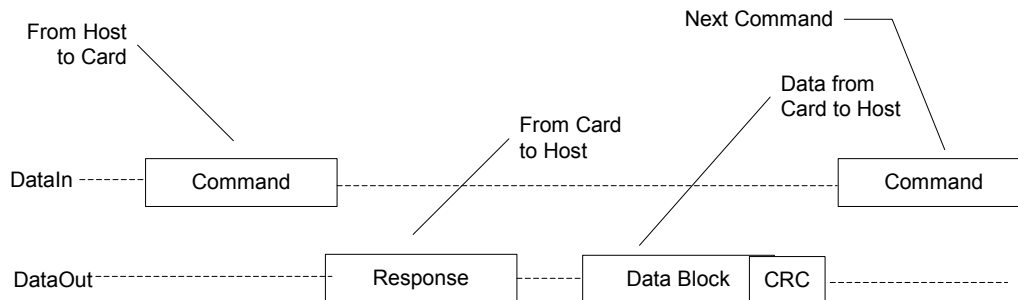
The SPI interface is initialized in the non-protected mode. The host can turn this option on and off using CRC\_ON\_OFF command (CMD59).

The CRC7/CRC16 polynomials are identical to that used in SD Bus mode. Refer to this section in the SD Bus mode chapter.

---

### 5.1.3. Data Read

SPI mode supports single block and multiple-block read operations (miniSD Card CMD17 or CMD18). Upon reception of a valid read command the card will respond with a response token followed by a data token in the length defined in a previous SET\_BLOCK\_LENGTH (CMD16) command (see Figure 5-1).



**Figure 5-1. Single Block Read Operation**

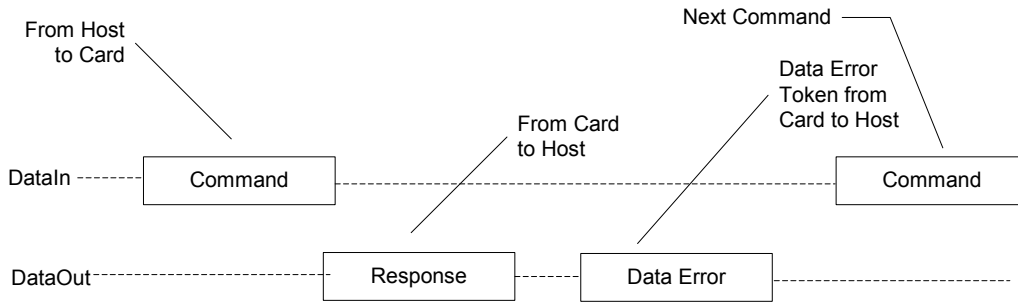
A valid data block is suffixed with a 16-bit CRC generated by the standard CCITT polynomial:

$$x^{16}+x^{12}+x^5+1.$$

The maximum block length is 512 bytes as defined by READ\_BL\_LEN (CSD parameter). Block lengths can be any number between 1 and READ\_BL\_LEN.

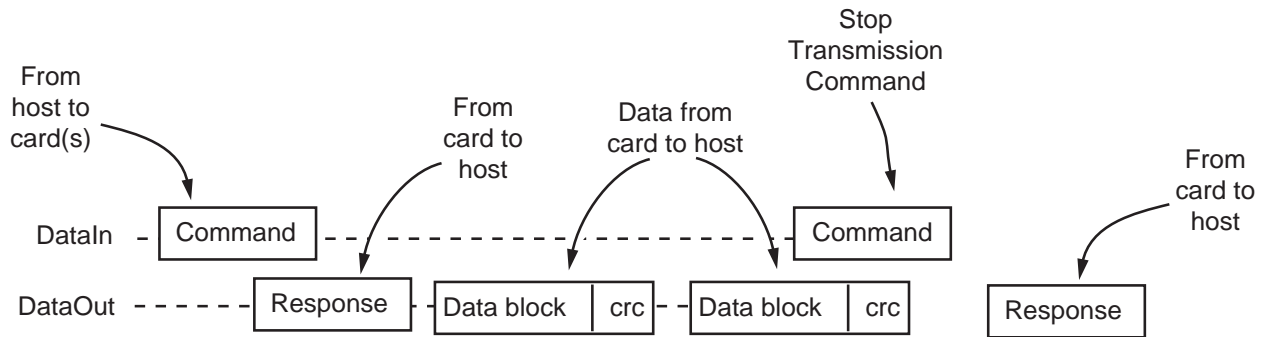
The start address can be any byte address in the valid address range of the card. Every block, however, must be contained in a single physical card sector.

In case of data retrieval error, the card will not transmit any data. Instead, a special data error token will be sent to the host. Figure 5-2 shows a data read operation, which terminated with an error token rather than a data block.



**Figure 5-2. Read Operation—Data Error**

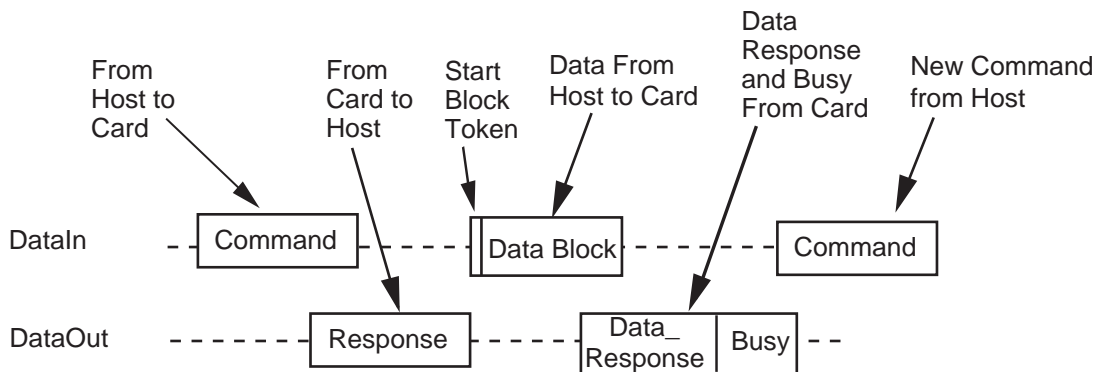
In the case of a Multiple Block Read operation, every transferred block has a 16-bit CRC suffix. The Stop Transmission command (CMD12) will actually stop the data transfer operation (the same as in SD Bus mode).



**Figure 5-3. Multiple Block Read Operation**

#### 5.1.4. Data Write

In SPI mode, the miniSD Card supports single block or multiple block write operations. Upon reception of a valid write command (miniSD Card CMD24 or CMD25), the card will respond with a response token and will wait for a data block to be sent from the host. CRC suffix and start address restrictions are identical to the read operation (see Figure 5-4). The only valid block length, however, is 512 bytes. Setting a smaller block length will cause a write error on the next write command.

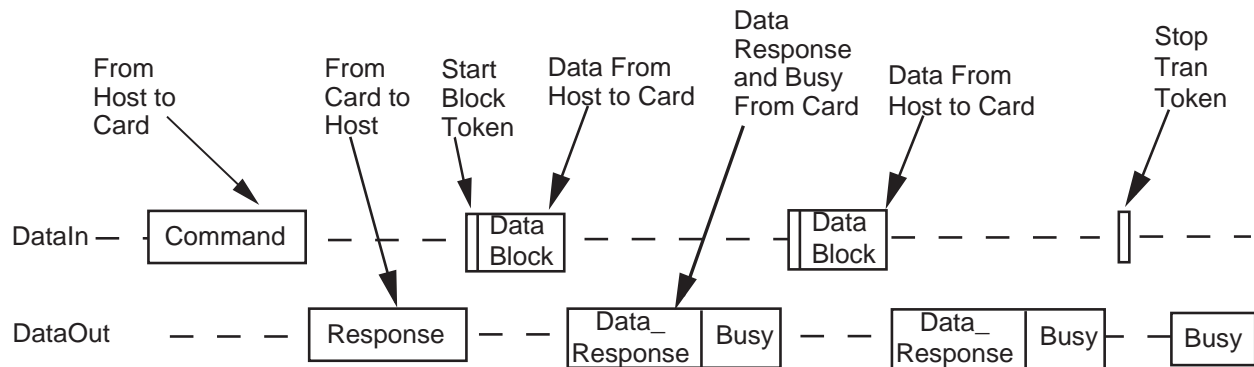


**Figure 5-4. Single Block Write Operation**

Every data block has a prefix or ‘start block’ token (one byte). After a data block is received the card will respond with a data-response token, and if the data block is received with no errors, it will be programmed. As long as the card is busy programming, a continuous stream of busy tokens will be sent to the host (effectively holding the dataOut line low).

Once the programming operation is completed, the host must check the results of the programming using the SEND\_STATUS command (CMD13). Some errors (e.g., address out of range, write protect violation, etc.) are detected during programming only. The only validation check performed on the data block and communicated to the host via the data-response token is CRC and general Write Error indication.

In multiple-block write operations, the stop transmission is done by sending, at the beginning of the next block, a Stop Tran token, instead of a Start Block token. In case of Write Error indication (on the data response) the host shall use SEND\_NUM\_WR\_BLOCKS (ACMD22) in order to get the number of well written write blocks. The data token’s description is given in Section 5.2.4.



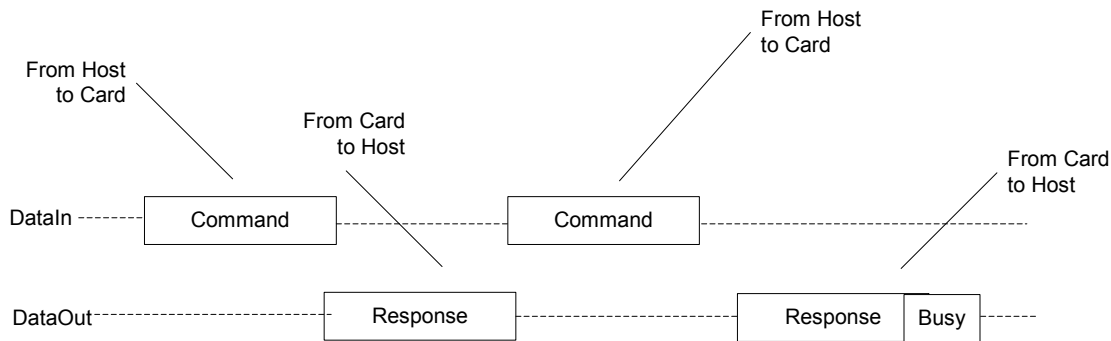
**Figure 5-5. Multiple Block Write Operation**

Resetting the CS signal while the card is busy does not terminate the programming process. The card releases the dataOut line (tristate) and continues to program. If the card is reselected before the programming is done, the dataOut line will be forced back to low and all commands will be rejected.

Resetting a card (using CMD0) will terminate any pending or active programming operation. This may destroy the data formats on the card. It is the host’s responsibility to prevent it.

### **5.1.5. Erase and Write Protect Management**

The erase and write protect management procedures in the SPI mode are identical to the SD Bus mode. While the card is erasing or changing the write protection bits of the predefined sector list it will be in a busy state and will hold the dataOut line low. Figure 5-6 illustrates a “no data” bus transaction with and without busy signaling.



**Figure 5-6. “No Data” Operations**

---

### 5.1.6. Read CID/CSD Registers

Unlike the SD Bus protocol (where the register contents are sent as a command response), reading the contents of the CSD and CID registers in SPI mode is a simple read-block transaction. The card will respond with a standard response token followed by a data block of 16 bytes suffixed with a 16-bit CRC.

The data time out for the CSD command cannot be set to the card TAAC since this value is stored in the CSD. Therefore, the standard response time-out value ( $N_{CR}$ ) is used for read latency of the CSD register.

---

### 5.1.7. Reset Sequence

The miniSD Card requires a defined reset sequence. After power on reset or CMD0 (software reset), the card enters an idle state. At this state, the only legal host commands are CMD1 (SEND\_OP\_COND), ACMD41 (SD\_SEND\_OP\_COND), CMD59 (CRC\_ON\_OFF) and CMD58 (READ\_OCR).

The host must poll the card (by repeatedly sending CMD1) until the ‘in-idle-state’ bit in the card response indicates (by being set to 0) that the card completed its initialization processes and is ready for the next command.

In SPI mode, however, CMD1 has no operands and does not return the contents of the OCR register. Instead, the host can use CMD58 (SPI Mode Only) to read the OCR register. It is the responsibility of the host to refrain from accessing cards that do not support its voltage range.

The use of CMD58 is not restricted to the initialization phase only, but can be issued at any time. The host must poll the card (by repeatedly sending CMD1) until the ‘in-idle-state’ bit in the card response indicates (by being set to 0) that the card has completed its initialization process and is ready for the next command.

---

### 5.1.8. Clock Control

The SPI bus clock signal can be used by the SPI host to set the cards to energy-saving mode or to control the data flow (to avoid under-run or over-run conditions) on the bus. The host is allowed to change the clock frequency or shut it down.

---

---

There are a few restrictions the SPI host must follow:

- The bus frequency can be changed at any time (under the restrictions of maximum data transfer frequency, defined by the miniSD Cards).
- It is an obvious requirement that the clock must be running for the miniSD Card to output data or response tokens. After the last SPI bus transaction, the host is required to provide 8 (eight) clock cycles for the card to complete the operation before shutting down the clock. Throughout this 8-clock period, the state of the CS signal is irrelevant. It can be asserted or de-asserted. Following is a list of the various SPI bus transactions:
  - A command/response sequence. Eight clocks after the card response end bit. The CS signal can be asserted or de-asserted during these 8 clocks.
  - A read data transaction. Eight clocks after the end bit of the last data block.
  - A write data transaction. Eight clocks after the CRC status token.
- The host is allowed to shut down the clock of a “busy” card. The miniSD Card will complete the programming operation regardless of the host clock. However, the host must provide a clock edge for the card to turn off its busy signal. Without a clock edge, the miniSD Card (unless previously disconnected by de-asserting the CS signal) will force the dataOut line down, permanently.

---

### **5.1.9. Error Conditions**

The following sections provide valuable information on error conditions.

---

#### **5.1.9.1. CRC and Illegal Commands**

Unlike the miniSD Card protocol, in SPI mode the card will always respond to a command. The response indicates acceptance or rejection of the command. A command may be rejected in any one of the following cases:

- It is sent while the card is in read operation (except CMD12 which is legal).
- It is sent while the card is in Busy.
- Card is locked and it is other than Class 0 or 7 commands.
- It is not supported (illegal opcode).
- CRC check failed.
- It contains an illegal operand.
- It was out of sequence during an erase sequence.

Note that in case the host sends command while the card sends data in read operation then the response with an illegal command indication may disturb the data transfer.

---

#### **5.1.9.2. Read, Write and Erase Time-out Conditions**

The times after which a time-out condition for read operations occur are (card independent) **either 100 times longer** than the typical access times for these operations given below **or 100ms**. The times after which a time-out condition for Write/Erase operations occur are (card independent) **either 100 times longer** than the typical program times for these operations given below **or 250ms**. A card shall complete the command within this time period, or give up and return an error message. If the host does not get any response with the given time out it should assume the card is not going to respond anymore and try to recover (e.g., reset the card, power cycle, reject). The typical access and program times are defined in the following sections.

---

---

## Read

The read access time is defined as the sum of the two times given by the CSD parameters TAAC and NSAC. These card parameters define the typical delay between the end bit of the read command and the start bit of the data block.

## Write

The R2W\_FACTOR field in the CSD is used to calculate the typical block program time obtained by multiplying the read access time by this factor. It applies to all write/erase commands (e.g., SET (CLEAR)\_WRITE\_PROTECT, PROGRAM\_CSD (CID) and the block write commands).

## Erase

The duration of an erase command will be (order of magnitude) the number of write blocks (WRITE\_BL) to be erased multiplied by the block write delay.

---

### 5.1.10. Memory Array Partitioning

See miniSD Card mode.

---

### 5.1.11. Card Lock/Unlock

The Card Lock/Unlock feature is currently in the SanDisk miniSD Card.

---

### 5.1.12. Application Specific Commands

The Application Specific commands are identical to SD mode with the exception of the APP\_CMD status bit (see Section 3.5.5), which is not available in SPI.

---

### 5.1.13. Copyright Protection Commands

All the special Copyright Protection ACMDs and security functionality are the same as for SD mode.

---

## 5.2. SPI Command Set

The following sections provide valuable information on the SPI Command Set.

---

### 5.2.1. Command Format

All the miniSD Card commands are 6 bytes long and transmitted MSB first.

Byte 1			Bytes 2—5		Byte 6		
7	6	5	0	31	7	0	
0	1	Command		Command Argument		CRC	1

7-bit CRC Calculation:  $G(x) = x^7 + x^3 + 1$

$M(x) = (\text{start bit}) * x^{39} + (\text{host bit}) * x^{38} + \dots + (\text{last bit before CRC}) * x^0$

$\text{CRC}[6..0] = \text{Remainder}[(M(x) * x^7) / G(x)]$



---

---

Table 5-3 lists all miniSD Card commands. A “yes” in the SPI mode column indicates that the command is supported in SPI mode. With these restrictions, the command class description in the CSD is still valid. If a command does not require an argument, the value of this field should be set to zero. The reserved commands are reserved in miniSD Card mode as well.

The binary code of a command is defined by the mnemonic symbol. As an example, the content of the **Command** field for CMD0 is (binary) ‘000000’ and for CMD39 is (binary) ‘100111.’

**Table 5-3. Description of SPI Bus Commands**

<b>CMD INDEX</b>	<b>SPI Mode</b>	<b>Argument</b>	<b>Resp</b>	<b>Abbreviation</b>	<b>Command Description</b>
CMD0	Yes	None	R1	GO_IDLE_STATE	Resets the miniSD Card
CMD1	Yes	None	R1	SEND_OP_COND	Activates the card's initialization process.
CMD2	No				
CMD3	No				
CMD4	No				
CMD5	Reserved				
CMD6	Reserved				
CMD7	No				
CMD8	Reserved				
CMD9	Yes	None	R1	SEND_CSD	Asks the selected card to send its card-specific data (CSD).
CMD10	Yes	None	R1	SEND_CID	Asks the selected card to send its card identification (CID).
CMD11	No				
CMD12	Yes	None	R1b	STOP_TRANSMISSION	Forces the card to stop transmission during a multiple block read operation.
CMD13	Yes	None	R2	SEND_STATUS	Asks the selected card to send its status register.
CMD14	No				
CMD15	No				
CMD16	Yes	[31:0] block length	R1	SET_BLOCKLEN	Selects a block length (in bytes) for all following block commands (read & write). <sup>1</sup>
CMD17	Yes	[31:0] data address	R1	READ_SINGLE_BLOCK	Reads a block of the size selected by the SET_BLOCKLEN command. <sup>2</sup>
CMD18	Yes	[31:0] data address	R1	READ_MULTIPLE_BLOCK	Continuously transfers data blocks from card to host until interrupted by a STOP_TRANSMISSION command.
CMD19	Reserved				
CMD20	No				
CMD21 ... CMD23	Reserved				
CMD24	Yes	[31:0] data address	R1 <sup>3</sup>	WRITE_BLOCK	Writes a block of the size selected by the SET_BLOCKLEN command. <sup>4</sup>

- 1) The only valid block length for write is 512 bytes. The valid block length for read is 1 to 512 bytes. A set block length of less than 512 bytes will cause a write error. The card has a default block length of 512 bytes. CMD16 is not mandatory if the default is accepted.
- 2) The start address and block length must be set so that the data transferred will not cross a physical block boundary.
- 3) Data followed by data response plus busy.
- 4) The start address must be aligned on a sector boundary. The block length is always 512 bytes.

CMD INDEX	SPI Mode	Argument	Resp	Abbreviation	Command Description
CMD25	Yes	[31:0] data address	R1	WRITE_MULTIPLE_BLOCK	Continuously writes blocks of data until a stop transmission token is sent (instead of 'start block').
CMD26	No				
CMD27	Yes	None	R1	PROGRAM_CSD	Programming of the programmable bits of the CSD.
CMD28 <sup>1</sup>	Yes	[31:0] data address	R1b	SET_WRITE_PROT	If the card has write protection features, this command sets the write protection bit of the addressed group. The properties of write protection are coded in the card specific data (WP_GRP_SIZE).
CMD29 <sup>4</sup>	Yes	[31:0] data address	R1b	CLR_WRITE_PROT	If the card has write protection features, this command clears the write protection bit of the addressed group.
CMD30	Yes	[31:0] write protect data address	R1	SEND_WRITE_PROT	If the card has write protection features, this command asks the card to send the status of the write protection bits. <sup>2</sup>
CMD31	Reserved				
CMD32	Yes	[31:0] data address	R1	ERASE_WR_BLK_START_ADDR	Sets the address of the first write block to be erased.
CMD33	Yes	[31:0] data address	R1	ERASE_WR_BLK_END_ADDR	Sets the address of the last write block in a continuous range to be erased.
CMD34 .... CMD37	Reserved				
CMD38	Yes	[31:0] don't care*	R1b	ERASE	Erases all previously selected write blocks.
CMD39	No				
CMD40	No				
CMD41 ... CMD54	Reserved				
CMD55	Yes	[31:0] stuff bits	R1	APP_CMD	Notifies the card that the next command is an application specific command rather than a standard command.
CMD56	Yes	[31:0] stuff bits [0]: RD/WR. <sup>3</sup>	R1	GEN_CMD	Used either to transfer a Data Block to the card or to get a Data Block from the card for general purpose/application specific commands. The size of the Data Block is defined with SET_BLOCK_LEN command.
CMD57	Reserved				
CMD58	Yes	None	R3	READ_OCR	Reads the OCR register of a card.
CMD59	Yes	[31:1] don't care* [0:0] CRC option	R1	CRC_ON_OFF	Turns the CRC option on or off. A '1' in the CRC option bit will turn the option on, a '0' will turn it off.
CMD60-63	No				

\* The bit places must be filled but the values are irrelevant.

- 1) These features are not currently supported in the SanDisk miniSD Card.
- 2) 32 write protection bits (representing 32 write protect groups starting at the specified address) followed by 16 CRC bits are transferred in a payload format via the data line.
- 3) RD/WR\_: "1"=the host will get a block of data from the card. "0"=the host sends a block of data to the card.

Table 5-5 describes all the application specific commands supported or reserved by the miniSD Card. All the following commands should be preceded with APP\_CMD (CMD55).

**Table 5-5. Application Specific Commands Used or Reserved by the miniSD Card –SPI Mode**

CMD INDEX	SPI Mode	Argument	Resp	Abbreviation	Command Description
ACMD6	No				
ACMD13	Yes	[31:0] stuff bits	R2	SD_STATUS	Send the <b>mini SD</b> status. The status fields are given in Table 4-21
ACMD17	Reserved				
ACMD18	Yes	--	--	--	Reserved for SD security applications <sup>1</sup>
ACMD19 to ACMD21	Reserved				
ACMD22	Yes	[31:0] stuff bits	R1	SEND_NUM_WR_BLOCKS	Send the numbers of the well-written (without errors) blocks. Responds with 32bit+CRC data block.
ACMD23	Yes	[31:23] stuff bits [22:0]Number of blocks	R1	SET_WR_BLK_ERASE_COUNT	Set the number of write blocks to be pre-erased before writing (to be used for faster Multiple Block WR command). "1"=default (one wr block)(2).
ACMD24	Reserved				
ACMD25	Yes	--	--	--	Reserved for SD security applications <sup>1</sup>
ACMD26	Yes	--	--	--	Reserved for SD security applications <sup>1</sup>
ACMD38	Yes	--	--	--	Reserved for SD security applications <sup>1</sup>
ACMD39 to ACMD40	Reserved				
ACMD41	Yes	None	R1	SEND_OP_COND	Activates the card's initialization process.
ACMD42	Yes	[31:1] stuff bits [0]set_cd	R1	SET_CLR_CARD_DETECT	Connect[1]/Disconnect[0] the 50KOhm pull-up resistor on CD/DAT3 (pin 1) of the card. The pull-up may be used for card detection.
ACMD43 ... ACMD49	Yes	--	--	--	Reserved for SD security applications. <sup>1</sup>
ACMD51	Yes	[31:0] staff bits	R1	SEND_SCR	Reads the SD Configuration Register (SCR).

NOTES: (1) Refer to "mini SD Security Specification" for detailed explanation about the SD Security Features

(2) Command STOP\_TRAN (CMD12) shall be used to stop the transmission in Write Multiple Block whether the pre-erase (ACMD23) feature is used or not.

---

### 5.2.3. Responses

There are several types of response tokens. As in the miniSD mode, all are transmitted MSB first.

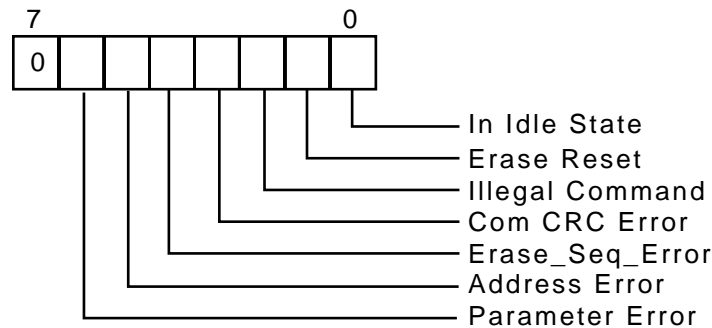
---

#### 5.2.3.1. Format R1

This response token is sent by the card after every command with the exception of SEND\_STATUS commands. It is 1 byte long, the MSB is always set to zero and the other bits are error indications. A “1” signals error.

- In idle state—The card is in idle state and running initializing process.
- Erase reset—An erase sequence was cleared before executing because an out of erase sequence command was received.
- Illegal command—An illegal command code was detected.
- Communication CRC error—The CRC check of the last command failed.
- Erase sequence error—An error in the sequence of erase commands occurred.
- Address error—A misaligned address, which did not match the block length was used in the command.
- Parameter error—The command’s argument (e.g., address, block length) was out of the allowed range for this card.

The structure of the R1 format is shown in Figure 5-7.



**Figure 5-7. R1 Response Format**

---

#### 5.2.3.2. Format R1b

This response token is identical to R1 format with the optional addition of the busy signal. The busy signal token can be any number of bytes. A zero value indicates card is busy. A non-zero value indicates card is ready for the next command.

### 5.2.3.3. Format R2

The card sends the 2-byte-long response token a response to the SEND\_STATUS command. The format of the R2 status is shown in Figure 5-8.

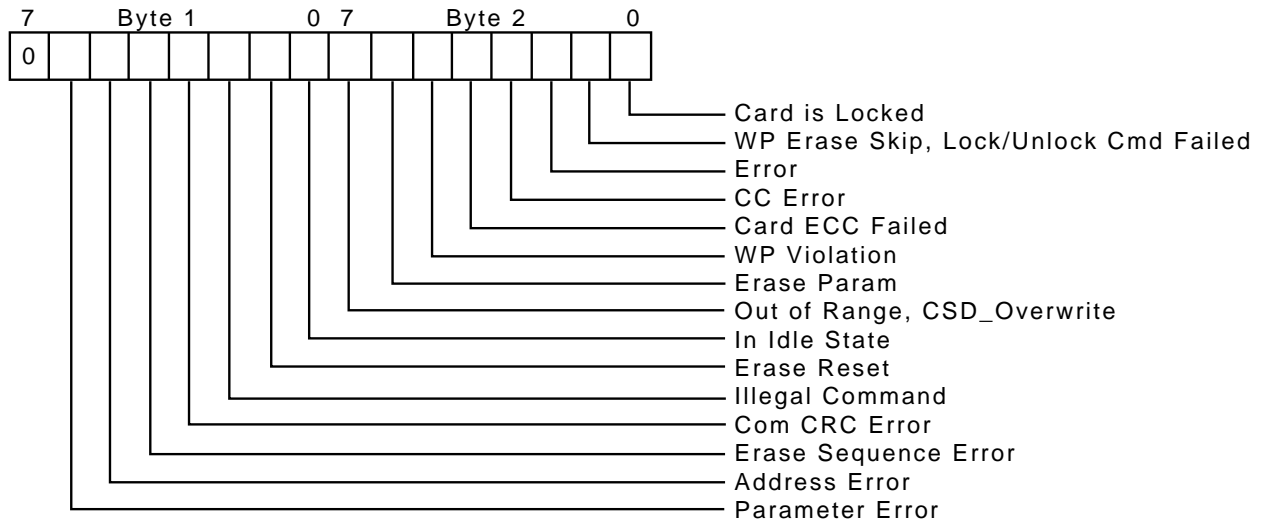


Figure 5-8. R2 Response Format

The first byte is identical to response R1. The content of the second byte is described below:

- **Erase param**—An invalid selection, sectors for erase.
- **Write protect violation**—The command tried to write a write-protected block.
- **Card ECC failed**—Card internal ECC was applied but failed to correct the data.
- **CC error**—Internal card controller error.
- **Error**—A general or an unknown error occurred during the operation.
- **Write protect erase skip**—Only partial address space was erased due to existing WP blocks.
- **Card is locked**—Supported by the SanDisk Corporation miniSD Card.

### 5.2.3.4. Format R3

The card sends a response token when a READ\_OCR command is received. The response length is 5 bytes. The structure of the first (MSB) byte is identical to response type R1. The other four bytes contain the OCR register.

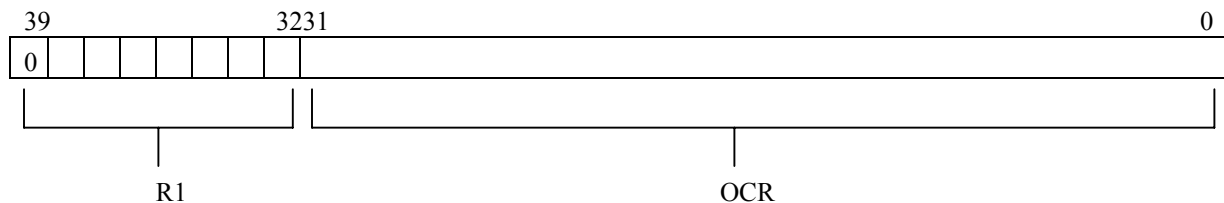


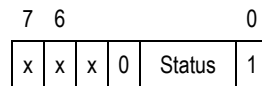
Figure 5-9. R3 Response Format

---

---

### 5.2.3.5. Data Response

Every data block written to the card is acknowledged by a data response token. It is one byte long and has the following format:



The meaning of the status bits is defined as follows:

- '010'—Data accepted.
- '101'—Data rejected due to a CRC error.
- '110'—Data Rejected due to a Write Error

In case of any error (CRC or Write Error) during Write Multiple Block operation, the host shall stop the data transmission using CMD12. In case of Write Error (response '110') the host may send CMD13 (SEND\_STATUS) in order to get the cause of the write problem. ACMD22 can be used to find the number of well written write blocks.

---

---

### 5.2.4. Data Tokens

Read and write commands have data transfers associated with them. Data is being transmitted or received via data tokens. All data bytes are transmitted MSB.

Data tokens are 4 to 515 bytes long and have the following format:

#### For Single Block Read, Single Block Write and Multiple Block Read:

- First byte: Start Block.



- Bytes 2-513 (depends on the data block length): User data.
- Last two bytes: 16-bit CRC.

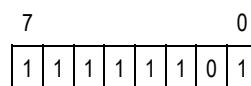
#### For Multiple Block Write operation:

- First byte of each block.

If data is to be transferred then—Start Block



If Stop transmission is requested—Stop Tran

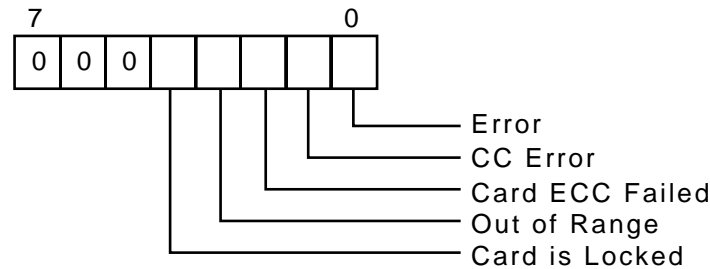


Note that this format is used only for Multiple Block Write. In case of Multiple Block Read the stop transmission is done using STOP\_TRAN Command (CMD12).

---

### 5.2.5. Data Error Token

If a read operation fails and the card cannot provide the required data it will send a data error token, instead. This token is one byte long and has the format shown in Figure 5-10.



**Figure 5-10. Data Error Token**

The four least significant bits (LSB) are the same error bits as in response format R2.

---

### 5.2.6. Clearing Status Bits

As described in the previous paragraphs, in SPI mode, status bits are reported to the host in three different formats: response R1, response R2 and data error token (the same bits may exist in multiple response types—e.g., Card ECC failed). As in the SD mode, error bits are cleared when read by the host, regardless of the response format.

---

## 5.3. Card Registers

In SPI Mode, only the OCR, CSD and CID registers are accessible. Their format is identical to their format in the miniSD Card mode. However, a few fields are irrelevant in SPI mode.

---

## 5.4. SPI Bus Timing Diagrams

All timing diagrams use the schematics and abbreviations listed in Table 5-9.

**Table 5-7. SPI Bus Timing Abbreviations**

H	Signal is high (logical '1')
L	Signal is low (logical '0')
X	Don't care
Z	High impedance state (-> = 1)
*	Repeater
Busy	Busy Token
Command	Command token
Response	Response token
Data block	Data token

All timing values are defined in Table 5-9. The host must keep the clock running for at least  $N_{CR}$  clock cycles after the card response is received. This restriction applied to command and data response tokens.

### 5.4.1. Command/Response

#### Host Command to Card Response—Card is Ready

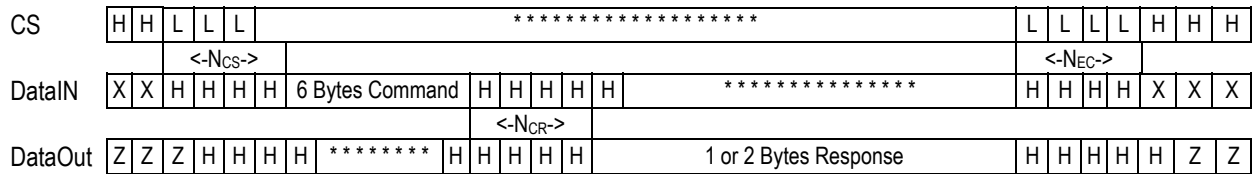


Figure 5-11. Host Command to Card Response—Card is Ready

#### Host Command to Card Response—Card is Busy

The following timing diagram describes the command response transaction for commands when the card responds which the R1b response type (e.g., SET\_WRITE\_PROT and ERASE). When the card is signaling busy, the host may deselect it (by raising the CS) at any time. The card will release the DataOut line one clock after the CS going high. To check if the card is still busy it needs to be reselected by asserting (set to low) the CS signal. The card will resume busy signal (pulling DataOut low) one clock after the falling edge of CS.

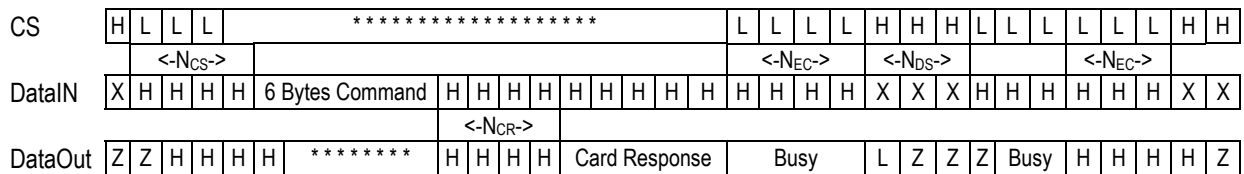


Figure 5-12. Host Command to Card Response—Card is Busy

#### Card Response to Host Command

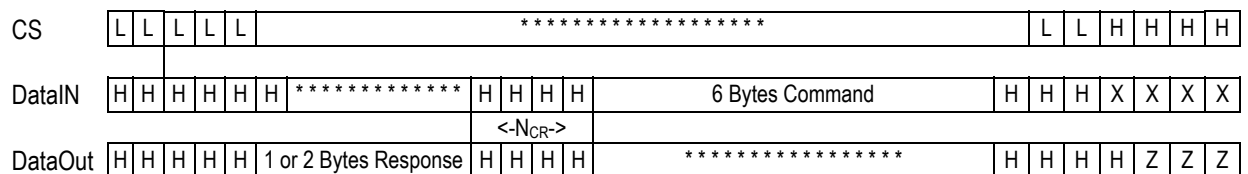


Figure 5-13. Card Response to Host Command

### 5.4.2. Data Read

The following timing diagram describes all single block read operations with the exception of SEND\_CSD command.

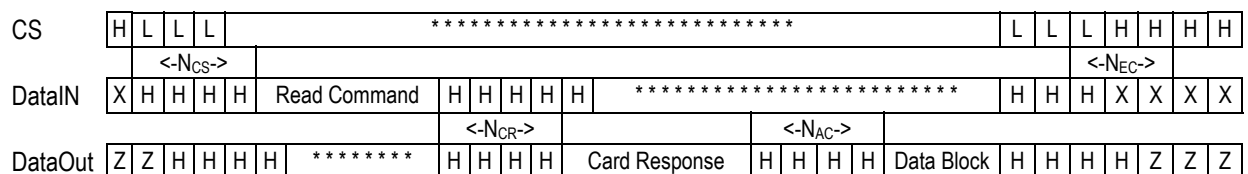
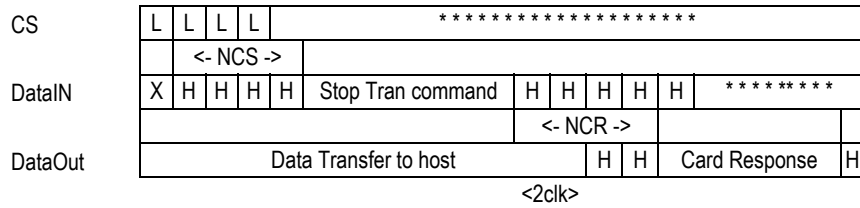


Figure 5-14. Single Block Read Timing

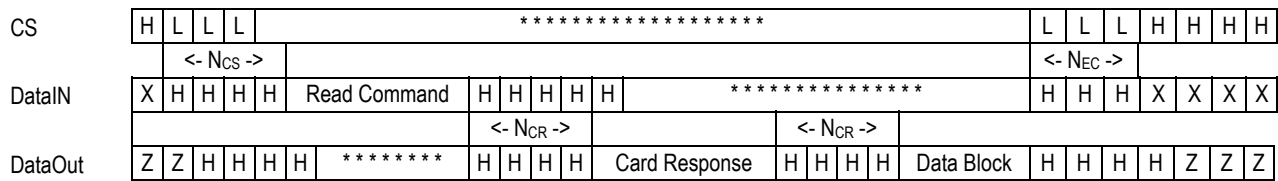
The following table describes Stop transmission operation in case of Multiple Block Read.



**Figure 5-15. Multiple Block Read Timing**

### Reading the CSD Register

The following timing diagram describes the SEND\_CSD command bus transaction. The timeout values for the response and the data block are  $N_{CR}$  (Since the  $N_{AC}$  is still unknown).

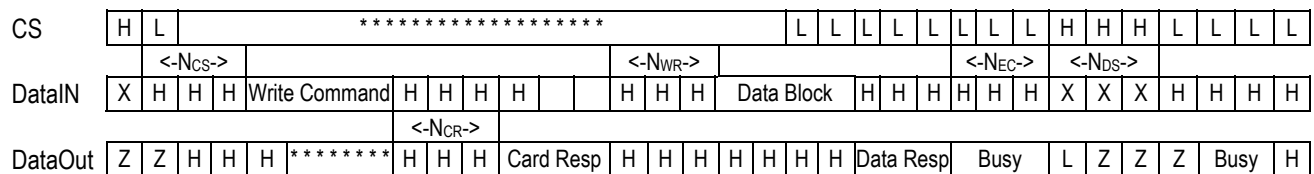


**Figure 5-16. Reading the CSD Register**

### 5.4.3. Data Write

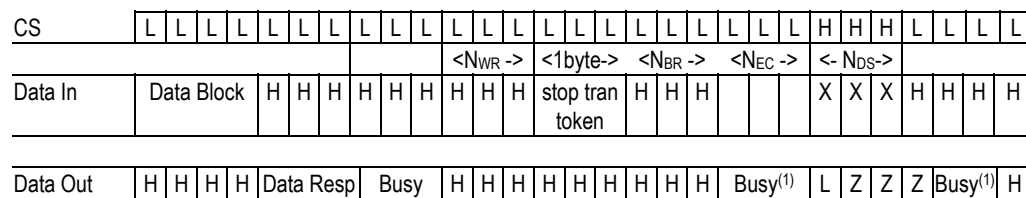
The host may deselect a card (by raising the CS) at any time during the card busy period (refer to the given timing diagram). The card will release the DataOut line one clock after the CS going high. To check if the card is still busy it needs to be re-selected by asserting (set to low) the CS signal.

The card will resume busy signal (pulling DataOut low) one clock after the falling edge of CS.



**Figure 5-17. Device Write Timing**

The following figure describes stop transmission operation in Multiple Block Write transfer.



(1) The Busy may appear within  $N_{BR}$  clocks after Stop Tran Token. If there is no Busy, the host may continue to the next command.

**Figure 5-18. Stop Transmission Timing—Multiple Block Write**

---

#### 5.4.4. Timing Values

Table 5-9 shows the timing values and definitions.

**Table 5-9. Timing Constants Definitions**

	Min	Max	Unit
N <sub>CS</sub>	0	-	8 Clock Cycles
N <sub>CR</sub>	0	8	8 Clock Cycles
N <sub>RC</sub>	1	-	8 Clock Cycles
N <sub>AC</sub>	1	See Note	8 Clock Cycles
N <sub>WR</sub>	1	-	8 Clock Cycles
N <sub>EC</sub>	0	-	8 Clock Cycles
N <sub>DS</sub>	0	-	8 Clock Cycles
N <sub>BR</sub>	0	1	8 Clock Cycles

**NOTE:**  $\text{MIN} [((\text{TAAC} * f + \text{NSAC} * 100) * 100/8, (100\text{MS} * f/8))]$ .

---

#### 5.5. SPI Electrical Interface

The SPI Mode electrical interface is identical to that of the miniSD Card mode.

---

#### 5.6. SPI Bus Operating Conditions

See miniSD Card mode.

---

#### 5.7. Bus Timing

See miniSD Card mode. The timing of the CS signal is the same as any other card input.

---

*This page intentionally left blank.*

## **Appendix A. Ordering Information**

To order SanDisk products directly from SanDisk, call 408-542-0595.

---

### ***miniSD Card***

SDSDM-16	16 MB
SDSDM-32	32 MB
SDSDM-64	64 MB
SDSDM-128	128 MB
SDSDM-256	256 MB

*This page intentionally left blank.*

## **Appendix B. Technical Support Services**

---

### ***Direct SanDisk Technical Support***

Call SanDisk Applications Engineering at 408-542-0405 for technical support.

---

### ***SanDisk Worldwide Web Site***

Internet users can obtain technical support and product information along with SanDisk news and much more from the SanDisk Worldwide Web Site, 24 hours a day, seven days a week. The SanDisk Worldwide Web Site is frequently updated. Visit this site often to obtain the most up-to-date information on SanDisk products and applications. The SanDisk Web Site URL is <http://www.sandisk.com>.

*This page intentionally left blank.*

## **Appendix C. SanDisk Worldwide Sales Offices**

To order SanDisk products directly from SanDisk, call 408-542-0595.

### **SanDisk Corporate Headquarters**

140 Caspian Court  
Sunnyvale, CA 94089  
Tel: 408-542-0500  
Fax: 408-542-0503  
<http://www.sandisk.com>

### **U.S. Industrial/OEM Sales Offices**

#### **Northwest USA**

2241 Fremont Dr., Suite B  
Havasu City, AZ 86406  
Tel: 928-505-4258  
Fax: 928-505-4259

#### **Southwest USA & Mexico**

140 Caspian Court  
Sunnyvale, CA 94089  
Tel: 408-542-0730  
Fax: 408-542-0410

#### **North Central USA & South America**

134 Cherry Creek Circle, Suite 150  
Winter Springs, FL 32708  
Tel: 407-366-6490  
Fax: 407-366-5945

#### **Northeastern USA & Canada**

620 Herndon Pkwy. Suite 200  
Herndon, VA 22070  
Tel: 703-481-9828  
Fax: 703-437-9215

### **International Industrial/OEM Sales Offices**

#### **Europe**

SanDisk GmbH  
Karlsruher Str. 2C  
D-30519 Hannover, Germany  
Tel: 49-511-875-9131  
Fax: 49-511-875-9187

#### **Northern Europe**

Videroegatan 3 B  
S-16440 Kista, Sweden  
Tel: 46-08-75084-63  
Fax: 46-08-75084-26

#### **Central and Southern Europe**

Rudolf-Diesel-Str. 3  
40822 Mettmann, Germany  
Tel: 49-210-495-3433  
Fax: 49-210-495-3434

#### **Japan**

8F Nisso Bldg. 15  
2-17-19 Shin-Yokohama,  
Kohoku-ku  
Yokohama 222-0033,  
Japan  
Tel: 81-45-474-0181  
Fax: 81-45-474-0371

#### **Asia/Pacific Rim**

Suite 3402, Tower I, Lippo Center  
89 Queensway  
Admiralty, Hong Kong  
Tel: 852-2712-0501  
Fax: 852-2712-9385

*This page intentionally left blank.*

# Appendix D. Limited Warranty

## I. WARRANTY STATEMENT

SanDisk warrants its products to be free of any defects in materials or workmanship that would prevent them from functioning properly for one year from the date of purchase. This express warranty is extended by SanDisk Corporation to its customers.

## II. GENERAL PROVISIONS

This warranty sets forth the full extent of SanDisk's responsibilities regarding the SanDisk miniSD Card. In satisfaction of its obligations hereunder, SanDisk, at its sole option, will either repair, replace or refund the purchase price of the product.

NOTWITHSTANDING ANYTHING ELSE IN THIS LIMITED WARRANTY OR OTHERWISE, THE EXPRESS WARRANTIES AND OBLIGATIONS OF SELLER AS SET FORTH IN THIS LIMITED WARRANTY, ARE IN LIEU OF, AND BUYER EXPRESSLY WAIVES ALL OTHER OBLIGATIONS, GUARANTIES AND WARRANTIES OF ANY KIND, WHETHER EXPRESS OR IMPLIED, INCLUDING WITHOUT LIMITATION, ANY IMPLIED WARRANTY OF MERCHANTABILITY OR FITNESS FOR A PARTICULAR PURPOSE OR INFRINGEMENT, TOGETHER WITH ANY LIABILITY OF SELLER UNDER ANY CONTRACT, NEGLIGENCE, STRICT LIABILITY OR OTHER LEGAL OR EQUITABLE THEORY FOR LOSS OF USE, REVENUE, OR PROFIT OR OTHER INCIDENTAL OR CONSEQUENTIAL DAMAGES, INCLUDING WITHOUT LIMITATION PHYSICAL INJURY OR DEATH, PROPERTY DAMAGE, LOST DATA, OR COSTS OF PROCUREMENT OF SUBSTITUTE GOODS, TECHNOLOGY OR SERVICES. IN NO EVENT SHALL THE SELLER BE LIABLE FOR DAMAGES IN EXCESS OF THE PURCHASE PRICE OF THE PRODUCT, ARISING OUT OF THE USE OR INABILITY TO USE SUCH PRODUCT, TO THE FULL EXTENT SUCH MAY BE DISCLAIMED BY LAW.

SanDisk's products are not warranted to operate without failure.

## III. WHAT THIS WARRANTY COVERS

For products found to be defective within one year of purchase, SanDisk will have the option of repairing or replacing the defective product, if the following conditions are met:

- A. The defective product is returned to SanDisk for failure analysis as soon as possible after the failure occurs.
- B. An incident card filled out by the user, explaining the conditions of usage and the nature of the failure, accompanies each returned defective product.
- C. No evidence is found of abuse or operation of products not in accordance with the published specifications, or of exceeding storage or maximum ratings or operating conditions.

All failing products returned to SanDisk under the provisions of this limited warranty shall be tested to the product's functional and performance specifications. Upon confirmation of failure, each product will be analyzed, by whatever means necessary, to determine the root cause of failure. If the root cause of failure is found to be not covered by the above provisions, then the product will be returned to the customer with a report indicating why the failure was not covered under the warranty.

This warranty does not cover defects, malfunctions, performance failures or damages to the unit resulting from use in other than its normal and customary manner, misuse, accident or neglect; or improper alterations or repairs.

SanDisk reserves the right to repair or replace, at its discretion, any product returned by its customers, even if such product is not covered under warranty, but is under no obligation to do so.

SanDisk may, at its discretion, ship repaired or rebuilt products identified in the same way as new products, provided such cards meet or exceed the same published specifications as new products. Concurrently, SanDisk also reserves the right to market any products, whether new, repaired, or rebuilt, under different specifications and product designations if such products do not meet the original product's specifications.

#### **IV. RECEIVING WARRANTY SERVICE**

According to SanDisk's warranty procedure, defective product should be returned only with prior authorization from SanDisk Corporation. Please contact SanDisk's Customer Service department at 408-542-0595 with the following information: product model number and description, nature of defect, conditions of use, proof of purchase and purchase date. If approved, SanDisk will issue a Return Material Authorization or Product Repair Authorization number. Ship the defective product to:

SanDisk Corporation  
Attn: RMA Returns  
(Reference RMA or PRA #)  
140 Caspian Court  
Sunnyvale, CA 94089

#### **V. STATE LAW RIGHTS**

SOME STATES DO NOT ALLOW THE EXCLUSION OR LIMITATION OF INCIDENTAL OR CONSEQUENTIAL DAMAGES, OR LIMITATION ON HOW LONG AN IMPLIED WARRANTY LASTS, SO THE ABOVE LIMITATIONS OR EXCLUSIONS MAY NOT APPLY TO YOU. This warranty gives you specific rights and you may also have other rights that vary from state to state.

*This page intentionally left blank.*

## ***Appendix E. Disclaimer of Liability***

SanDisk Corporation general policy does not recommend the use of its products in life support applications wherein a failure or malfunction of the product may directly threaten life or injury. Accordingly, in any use of products in life support systems or other applications where failure could cause damage, injury or loss of life, the products should only be incorporated in systems designed with appropriate redundancy, fault tolerant or back-up features.

SanDisk shall not be liable for any loss, injury or damage caused by use of the Products in any of the following applications:

- Special applications such as military-related equipment, nuclear reactor control, and aerospace
- Control devices for automotive vehicles, train, ship and traffic equipment
- Safety system for disaster prevention and crime prevention
- Medical-related equipment including medical measurement device